

A close-up photograph of a single-point fixing mechanism, showing a cylindrical metal arm with a hexagonal nut and a central screw. The metal has a brushed finish.

SINGLE-POINT  
FIXINGS  
FOR INTERIOR  
INSTALLATIONS

---

MANET



# CONTENT

---



## MANET CONCEPT

Sliding door system	6 – 21
Pivoting door system	22 – 35
Connection system	36 – 43
Single-point fixings	44 – 49



## MANET COMPACT Sets

Pivoting doors	53 – 55
Sliding doors	56 – 61



## Pull Handles and recessed pull grip program

62 – 71
---------

The glass preparation requirements for the various systems are indicated at the end of each section.

## MANET – THE SYSTEM

### Glass assembly system

It's good to be able to see clearly if you want to plan ahead. That also certainly applies when it comes to designing office layouts. As well as promoting open communication, transparent interior concepts are particularly generous in appearance. And here, adaptable partitioning and doors of glass certainly help. Offering a flexible modular system, MANET gives planners plenty of scope in room design. The basic component is the single-point fixing, fitting into a countersunk hole to provide a flush finish with the glass surface – an optical highlight common to all the hardware in this range. Adjustable angle

connectors ensure efficient attachment to both the existing building fabric and other glass elements. Integrated swing and sliding door sets, the latter in two design versions, complete the system. For some components, both countersunk and proud single-point fixings are available. Swing door fittings that attach to sidelights and overpanels can be had for glass thicknesses ranging from 10 to 15.5 mm. The fixings for sliding doors are designed as standard for glass panel thicknesses from 8 to 17.5 mm. Further glass thicknesses are also available on request, as is the installation of 20 – 40 mm thick timber door leaves.

### Compact Sets

Equally effective visually is the MANET COMPACT system with its standardized swing and sliding door sets. These enable simple, fast configuration of common installation types with 8, 10 or 12 mm glass for doors and 10 and 12 mm glass for overpanels and sidelights, aided by MANET COMPACT planning software. MANET COMPACT sliding door sets come with roller carriers featuring the straight lines of our CLASSIC design. A wide range of accessories ensures that the individual sets can be adapted to an array of application types, with MANET pull handles completing the holistic, integral appearance.

To enable problem-free installation of sliding, double-action and single-action doors, the system components all offer extensive adjustability. Wall abutment profiles may, however, need to be provided by others for fixing glass overpanels and sidelights.



	MANET CONCEPT				MANET COMPACT	
	Single-point fixing	Connection system	Pivoting door fittings	Sliding door fittings	Pivoting door sets	Sliding door sets
<b>Applications and features</b>						
Glass	TSG LSG from TSG	TSG LSG from TSG	TSG LSG from TSG	TSG LSG from TSG	TSG	TSG
For interior assemblies	●	●	●	●	●	●
Max. door weight (kg)			100	120	80	100
Max. door width (mm)			1200	1500	1200	1200
Max. door height			3000	3000	2500	2500
Masonry openings		●	●	●	●	●
For standard toughened glass assembly types		●	●	●	●	●
For individual designed assemblies		●	●	●		
Double action door			●		●	
Single action door			●		●	
Sliding door				●		●
1-panelled doors			●	●	●	●
2-panelled doors			●	●	●	●
Glass thicknesses door (mm)			10 – 15.5	8 – 17.5	10, 12	8, 10, 12
Glass thicknesses overpanel / sidelight	8 – 17.5	8 – 21.5	10 – 15.5	10 – 17.5	10, 12	10, 12
Timber thicknesses sliding door (mm)				20 – 40		
<b>Installation and adjustability</b>						
Installation at wall	●	●	●	●		●
Installation at ceiling		●	●	●	●	
Installation at glass		●	●	●	●	●
Roller at glass				● <sup>1)</sup>		
2-D / 3-D adjustable	●	●	●	●	●	●
<b>Installation and adjustability</b>						
Satin stainless steel 1.4305	●	●	●	●	●	●
Satin stainless steel 1.4404	on request	on request	on request	on request		
TREND				●		
CLASSIC				●		●
Roller at glass				●		
<b>Glass preparation</b>						
countersunk single-point fixings	●	●	●	●	●	●
clamping disc single-point fixings	●	●	●	●		●

<sup>1)</sup>Max. panel weight 80 kg

All elements including the pull handles are supplied in an elegant stainless steel finish. MANET components come in the steel grade 1.4305 (AISI 303) for normal interior applications. Certain selected fittings are also available in 1.4404 (AISI 316L) for damp room and external applications (not suitable saunas or indoor

swimming pools). The materials necessary for your application can be determined from Table 1 of General Building Inspectorate Approval Z-30.3-6 .

Note: The products detailed in this brochure are exclusively intended for glass constructions that do not require special individual inspectorate approval.



Awarded with the design prize red dot 2002

# MANET CONCEPT

---

**Sliding door system**

6 - 21



# SLIDING DOOR SYSTEM

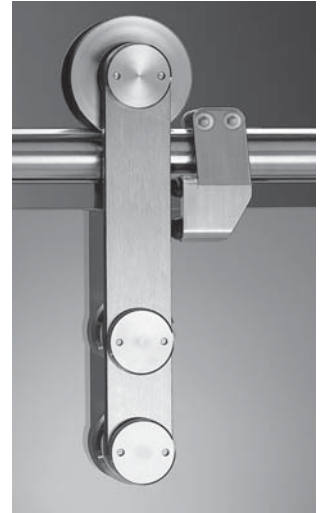
The MANET sliding door system is ideal as an elegant addition complementing high-style interior concepts. Its main components take the form of a solid track rail and the roller carrier. Whether you prefer the TREND or CLASSIC versions, both can be combined with the solid track or a tubular track. The range includes both glass-flush and proud single-point fixings. The sliding door system allows plenty of scope for individual ideas.

In addition to the standard versions incorporated in toughened glass partitions or face-fixed on masonry openings, this hardware system can also be used to construct curved sliding doors, biparting sliding doors and parallel sliding doors.

The fittings are designed for a door weight of max. 120 kg, resp. 80 kg with roller to glass. Mechanical stops that can be positioned on the track rail ensure that the door travel distance is effectively limited.

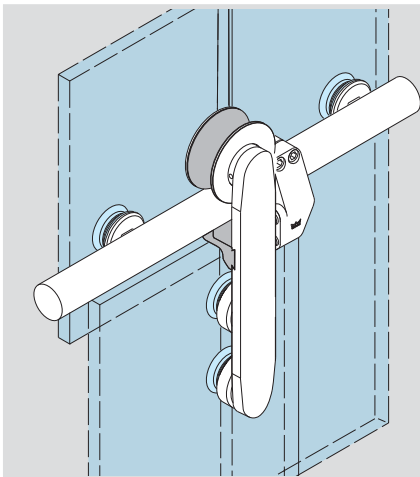


Roller carrier TREND

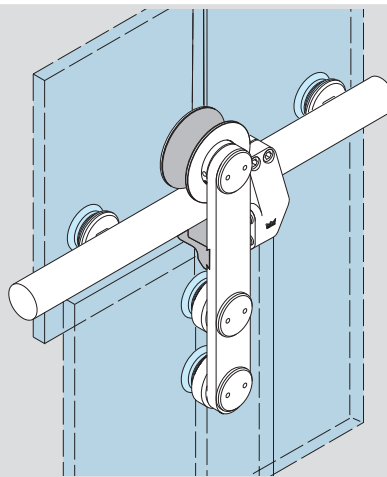


Roller carrier CLASSIC

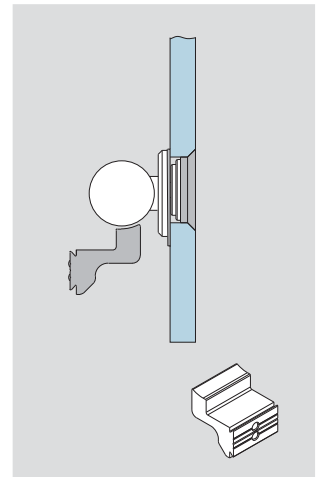
## Glass connection with drilled solid tracks



Roller carrier TREND

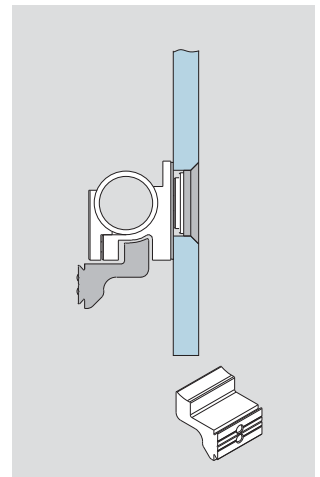
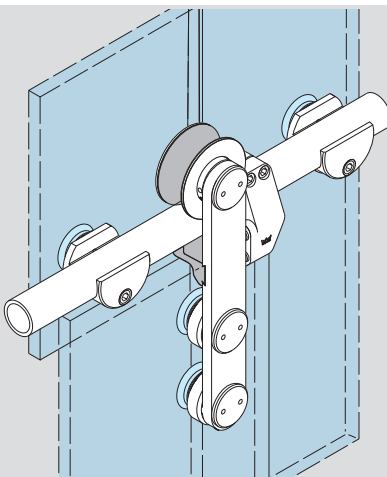
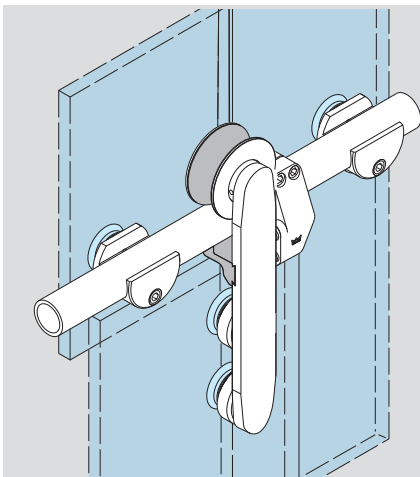


Roller carrier CLASSIC



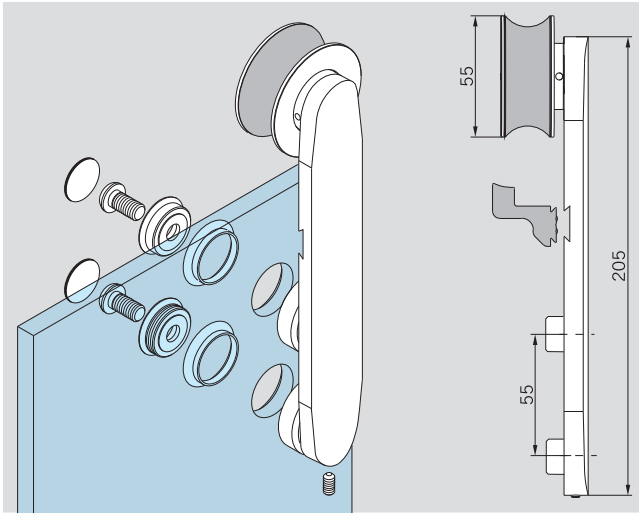
An accordant anti-jump device for solid and tubular tracks will be used.

## Glass connection with clamp fixing and tubular tracks



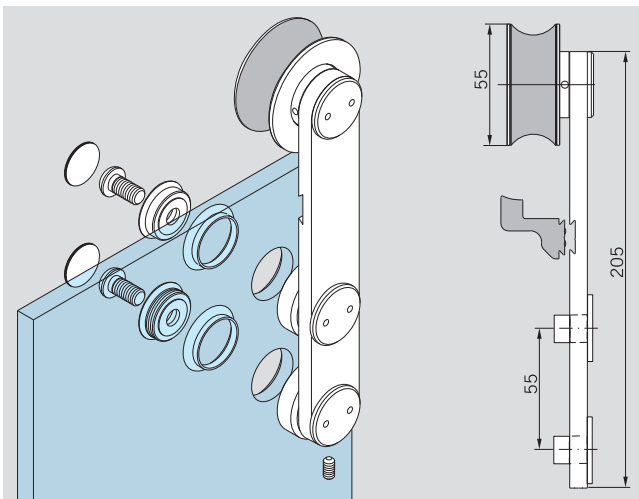


# ROLLER CARRIER



**Roller carrier TREND**  
incl. anti-jump device  
only lug with roller

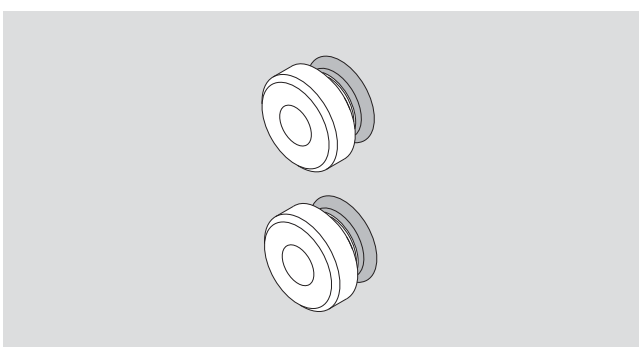
**Art. No. 29.424**



**Roller carrier CLASSIC**  
incl. anti-jump device  
only lug with roller  
AISI 316L

**Art. No. 29.422**

**Art. No. 29.423**



**Single-point fixing**  
**for roller carrier, 2 pcs. each**  
countersunk 8 – 12 mm glass  
AISI 316L  
clamping disc 8 – 12 mm glass  
AISI 316L  
countersunk for  
13.5 – 17.5 mm glass  
countersunk for 19 mm glass

**Art. No. 29.430**

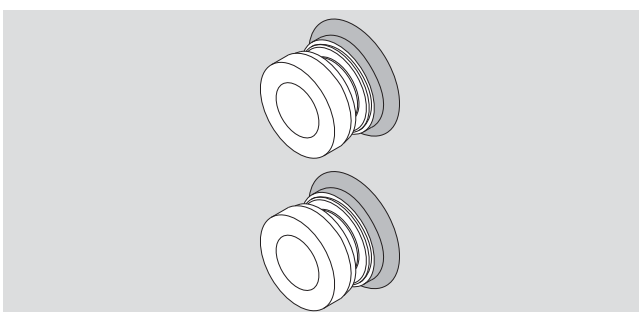
**Art. No. 29.431**

**Art. No. 29.432**

**Art. No. 29.433**

**Art. No. 29.435**

**Art. No. 29.437**



**Single-point fixings**  
**for roller carrier at timber,**  
**2 pcs. each**  
countersunk for 20 – 40 mm  
timber  
clamping disc for 20 – 40 mm  
timber

**Art. No. 29.510**

**Art. No. 29.520**

# SOLID TRACK

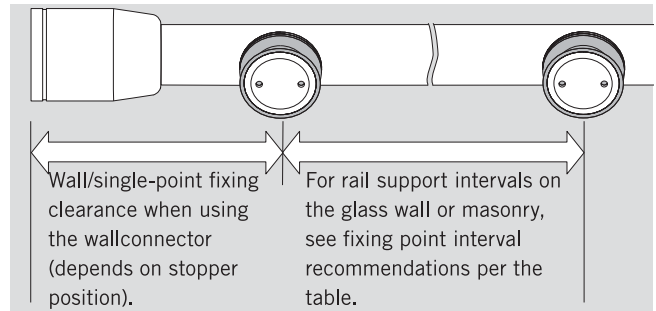
## Track supply and installation

The track rail for the sliding door is pre-fabricated according to the customer's drawing and supplied together with the glass or wall brackets ordered for the application concerned.

## Fixing screws for wall installation by others

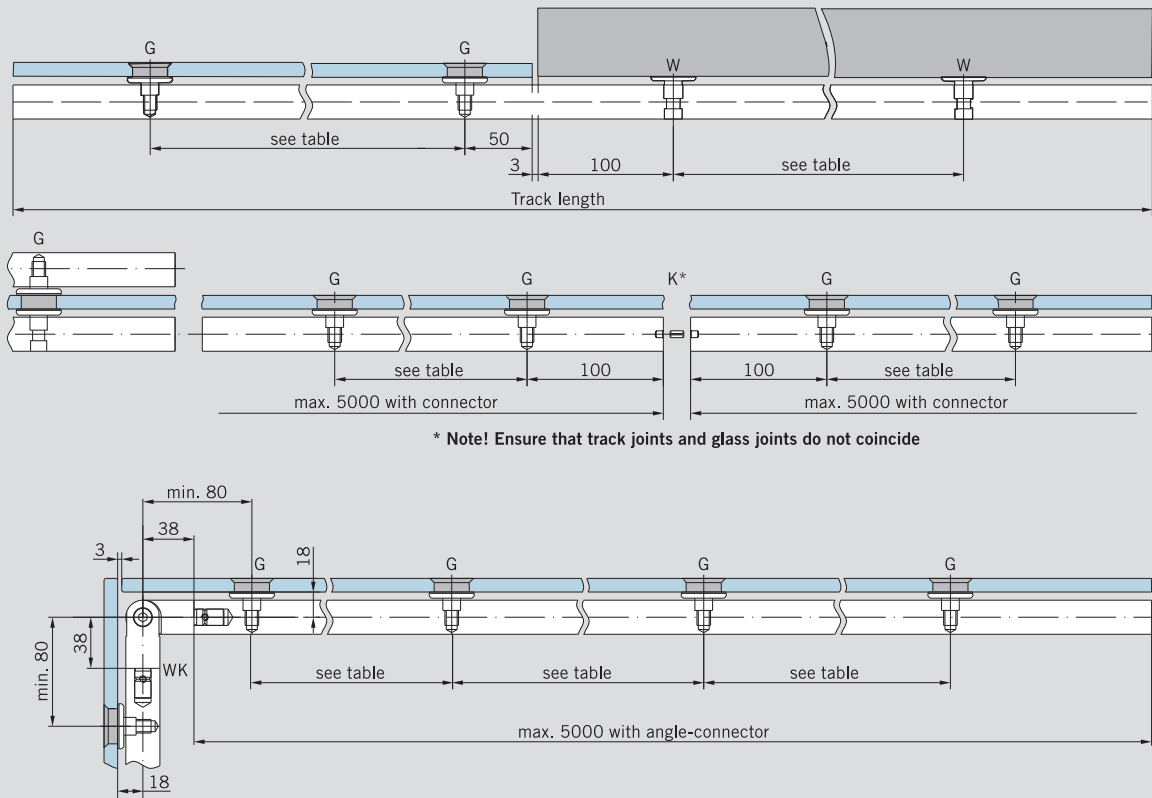
Of decisive importance for pre-fabrication and fixing to glass partitions is that the mounting points coincide with the holes drilled in the glass. The lengthwise tolerances should not be greater than  $\pm 0.3$  mm.

**Caution!** Ensure that the stops/single-point fixings are positioned at locations appropriate to the width of the door.



## Required dimensions for the track production

- G = Fixing point at glass
- W = Fixing point at wall
- K = Connection
- WK = Angle-connection



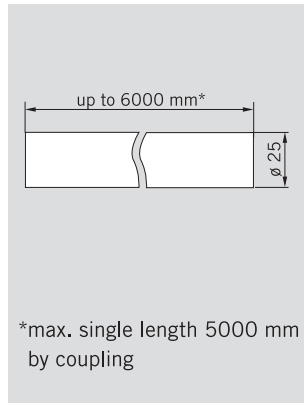
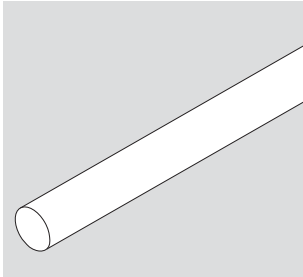
## Recommended distance of the track fixing points

Door height in mm	Door width in mm																										
	700			800			900			1000			1100			1200			1300			1400					
	Glass thickn. mm	Glass thickn. mm	Glass thickn. mm	Glass thickn. mm	Glass thickn. mm	Glass thickn. mm	Glass thickn. mm	Glass thickn. mm	Glass thickn. mm	Glass thickn. mm	Glass thickn. mm	Glass thickn. mm	Glass thickn. mm	Glass thickn. mm	Glass thickn. mm	Glass thickn. mm	Glass thickn. mm	Glass thickn. mm	Glass thickn. mm	Glass thickn. mm	Glass thickn. mm	Glass thickn. mm	Glass thickn. mm				
1900	8	10	12	8	10	12	8	10	12	8	10	12	8	10	12	8	10	12	8	10	12	8	10	12	8	10	12
2000	750	700	650	750	700	660	750	700	650	740	690	650	740	680	640	730	680	640	720	670	630	720	660	630			
2100	730	680	640	730	680	640	730	680	640	730	670	630	720	670	630	710	660	620	710	660	620	700	650	610			
2200	710	660	620	710	660	620	710	660	620	710	660	620	700	650	610	700	650	610	690	640	600	680	630	600	680	630	600
2300	690	640	610	700	650	610	700	640	610	690	640	600	690	640	600	680	630	600	680	630	590	670	620	580			
2400	680	630	590	680	630	590	680	630	590	680	630	590	670	620	590	670	620	580	660	610	580	660	610	580			
2500	660	610	580	670	620	580	670	610	580	660	620	580	660	610	580	650	610	570	650	600	570	640	600	570			

# SOLID TRACK AND ACCESSORIES

## Solid track

The track rail is prefabricated per customer specifications/ drawing with all the necessary drill holes already provided.



**Track, drilled**  
for fixing at glass  
fixed length up to 6000 mm

**Art. No. 21.405**

AISI 316L

**Art. No. 21.456**

for fixing at wall  
up to 6000 mm

**Art. No. 21.406**

AISI 316L

**Art. No. 21.457**

**Track, undrilled**  
for fixing with clamp brackets  
fixed length up to 6000 mm

**Art. No. 21.407**

do. AISI 316L

**Art. No. 21.458**

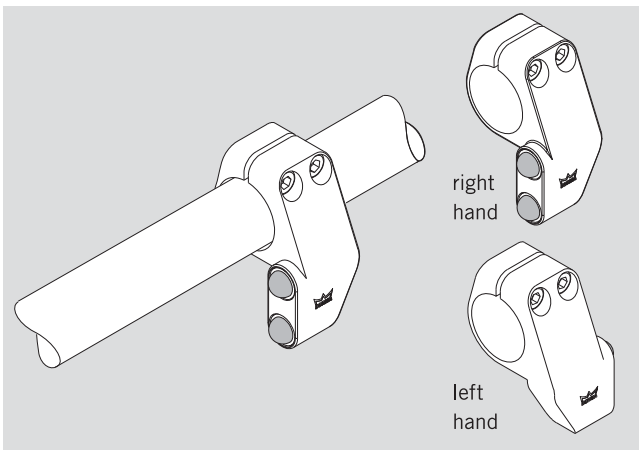
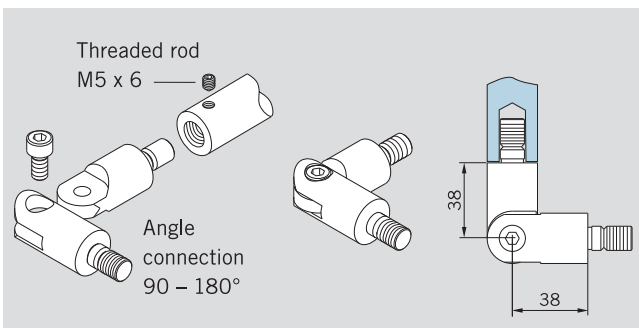
## Connectors

offset for tracks 90 – 180°

**Art. No. 21.442**

do. AISI 316L

**Art. No. 21.443**



## Door stop

left hand

**Art. No. 29.425**

AISI 316L

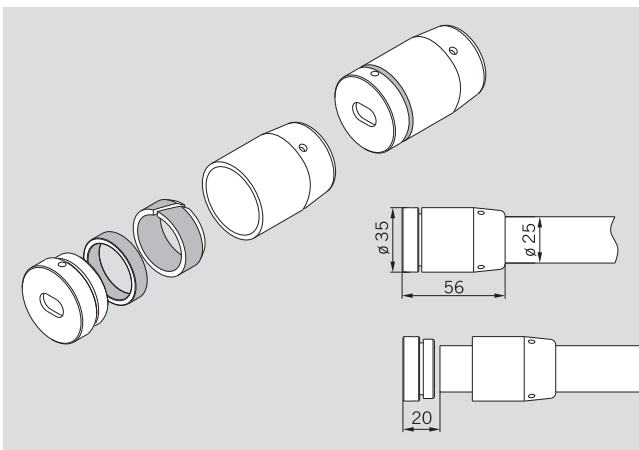
**Art. No. 29.427**

right hand

**Art. No. 29.426**

AISI 316L

**Art. No. 29.428**



## Wall fixing for tubular track / solid track

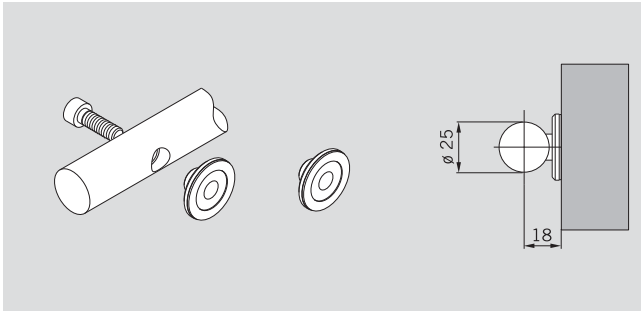
**Art. No. 29.445**

AISI 316L

**Art. No. 29.446**

# SOLID TRACK AND ACCESSORIES

## Solid track fixing at wall



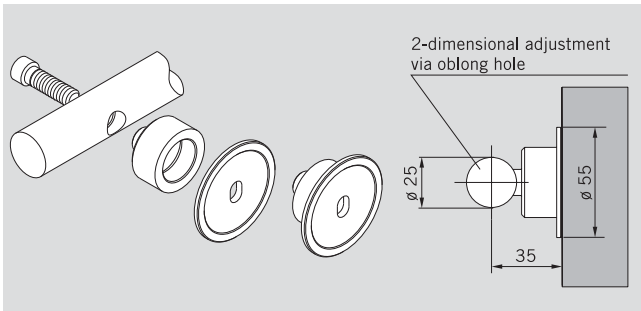
### Flange for fixing the track at wall

AISI 316L

Art. No. 21.346

Art. No. 21.347

## Solid track fixing at wall, adjustable



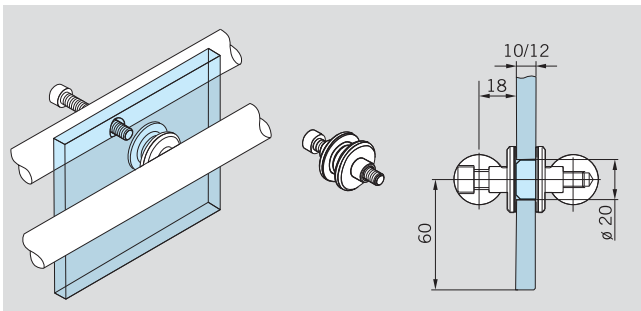
### Flange for fixing the track at wall, adjustable

Adjustment + 5 mm

**Note:** Min. distance glass to wall 32 mm

Art. No. 21.412

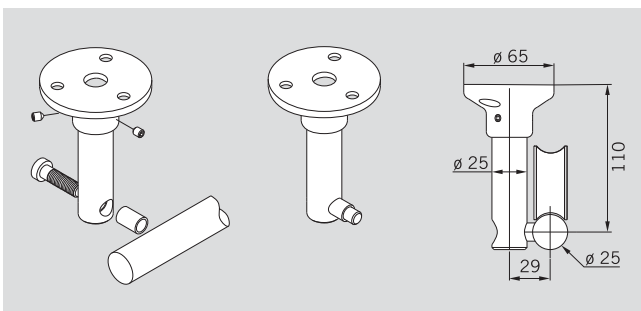
## Fixing a double track



### Fixing for double track

Art. No. 21.170

## Solid track fixing at ceiling

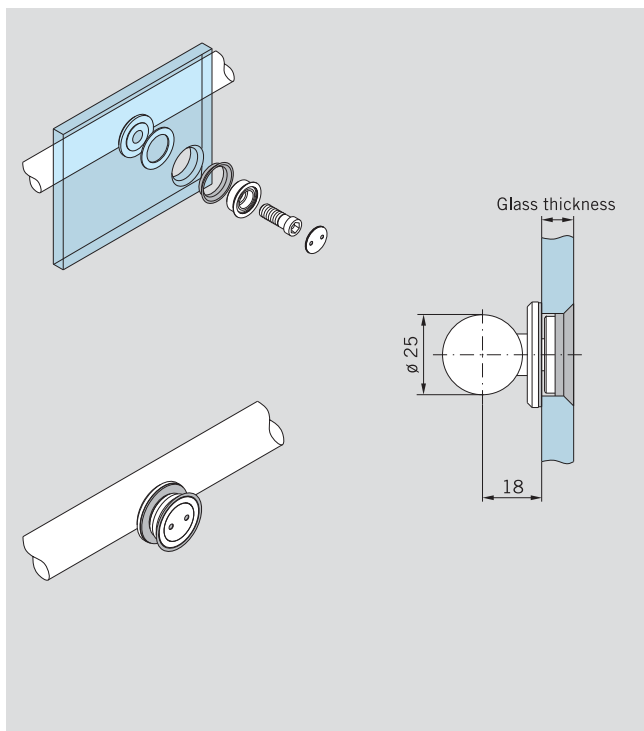


### Ceiling retainer for track

carrying function

Art. No. 21.315

Single-point fixing for solid track fixing at glass



for X = 20 – 30 mm  
Single-point fixing,

countersunk, fixed  
for 10/12 mm glass Art. No. 29.460

AISI 316L Art. No. 29.461

for 13.5 – 15.5 mm glass Art. No. 29.450

for 17.5 mm glass Art. No. 29.451

clamping disc, fixed  
for 10/12 mm glass Art. No. 29.465

AISI 316L Art. No. 29.466

countersunk, centring  
for 10/12 mm glass Art. No. 29.462

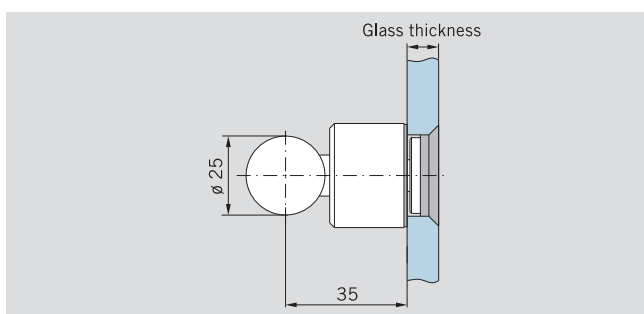
AISI 316L Art. No. 29.463

for 13.5 – 15.5 mm glass Art. No. 29.455

for 17.5 mm glass Art. No. 29.456

clamping disc, centring  
for 10/12 mm glass Art. No. 29.467

AISI 316L Art. No. 29.468

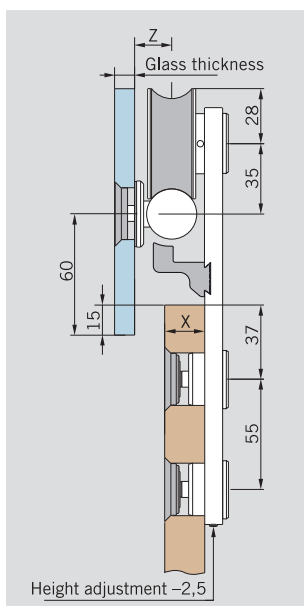


for X = 35 – 40 mm  
Single-point fixing,

countersunk, fixed  
for 10/12 mm glass Art. No. 29.530

countersunk, centring  
for 10/12 mm glass Art. No. 29.531

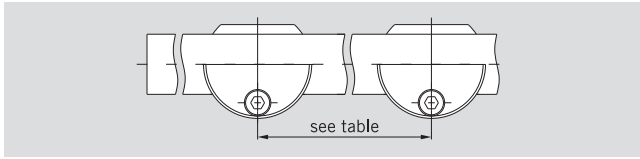
Selection guide, Solid track fixing for timber doors



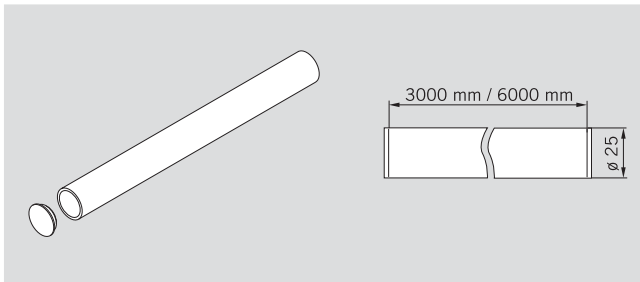
X	Z	max. door weight kg	to glass 10/12 mm		to wall		
			Single-point fixing fixed for track Art. No.	Single-point fixing centring for track Art. No.	Flange for track Art. No.		
20 – 30	18.5	120	countersunk 29.460	clamping disc 29.465	countersunk 29.462	clamping disc 29.467	21.346
35 – 40	35	100	29.530	–	29.531	–	21.412

# TUBULAR TRACKS AND ACCESSORIES

## Recommended distance of the track fixing points



Door height in mm	Door width in mm																							
	700			800			900			1000			1100			1200			1300			1400		
	Glass thickn. mm	Glass thickn. mm	Glass thickn. mm	Glass thickn. mm	Glass thickn. mm	Glass thickn. mm	Glass thickn. mm	Glass thickn. mm	Glass thickn. mm	Glass thickn. mm	Glass thickn. mm	Glass thickn. mm	Glass thickn. mm	Glass thickn. mm	Glass thickn. mm	Glass thickn. mm	Glass thickn. mm	Glass thickn. mm	Glass thickn. mm	Glass thickn. mm	Glass thickn. mm	Glass thickn. mm	Glass thickn. mm	
	8	10	12	8	10	12	8	10	12	8	10	12	8	10	12	8	10	12	8	10	12	8	10	12
1900	350	350	350	400	400	400	450	450	450	500	500	500	550	550	530	600	550	520	590	550	510	580	540	510
2000	350	350	350	400	400	400	450	450	450	500	500	500	550	540	510	580	540	510	570	530	500	570	530	500
2100	350	350	350	400	400	400	450	450	450	500	500	500	550	530	500	570	530	500	560	520	490	560	520	490
2200	350	350	350	400	400	400	450	450	450	500	500	500	550	520	490	550	510	480	550	510	480	540	500	470
2300	350	350	350	400	400	400	450	450	450	500	500	500	550	510	480	540	500	470	540	500	470	530	490	460
2400	350	350	350	400	400	400	450	450	450	500	500	500	530	500	470	530	490	460	530	490	460	520	480	-
2500	350	350	350	400	400	400	450	450	450	500	500	500	520	490	460	520	480	450	520	480	450	510	470	-



### Tubular track

incl. end plugs  
stock length 3000 mm

**Art. No. 21.527**

AISI 316L

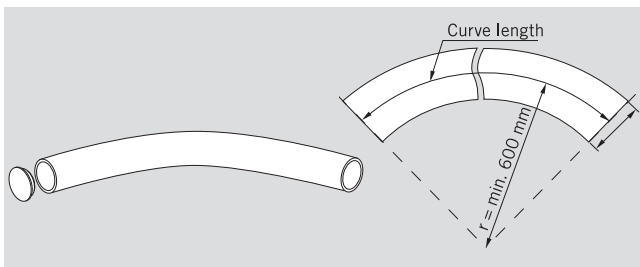
**Art. No. 21.530**

Fixed length up to 6000 mm

**Art. No. 21.436**

AISI 316L

**Art. No. 21.532**

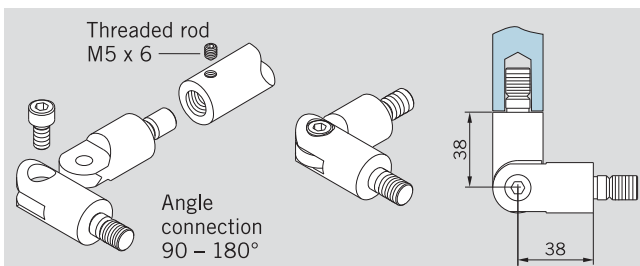


### Tubular track

bent, incl. end plugs  
max. curve length 2600 mm  
max. curve length 5600 mm

**Art. No. 21.409**

**Art. No. 21.413**

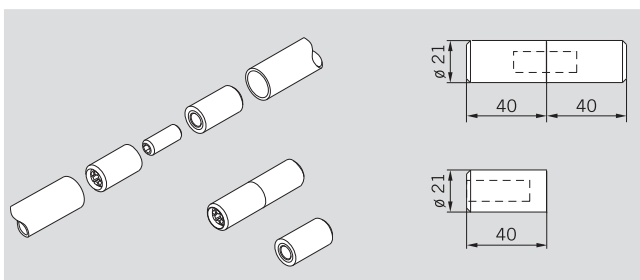


### Angled connection for tubular track, 90° - 180°

**Art. No. 21.535**

### Angle connection for tubular track

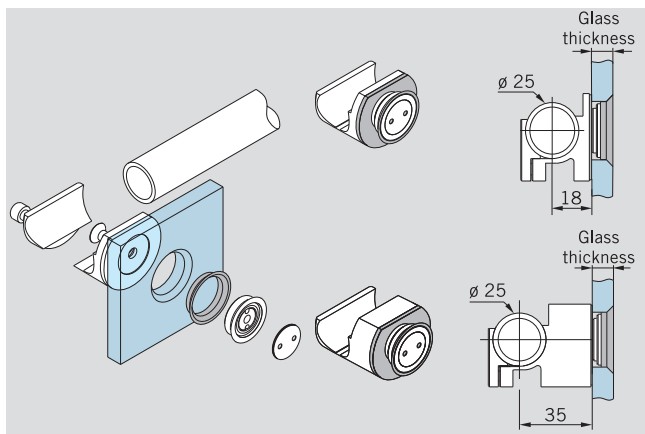
**Art. No. 29.506**



### Thread insert for tubular track

**Art. No. 29.505**

**Tubular track fixing at glass**



**Clamp fixing**

for tubular track at glass  
single-point fixing countersunk\* **Art. No. 29.176**

AISI 316L **Art. No. 29.185**

single-point fixing, clamping disc\* **Art. No. 29.177**

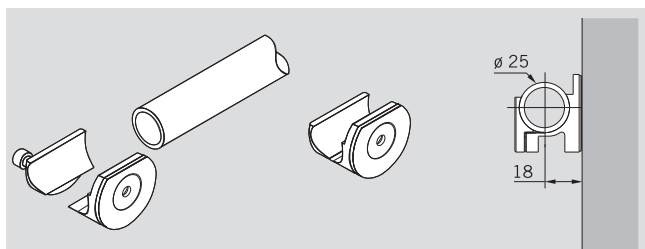
AISI 316L **Art. No. 29.186**

16 mm extended  
single-point fixing countersunk\* **Art. No. 29.179**

single-point fixing, clamping disc\* **Art. No. 29.180**

\*for 10, 12 and 13.5 mm glass

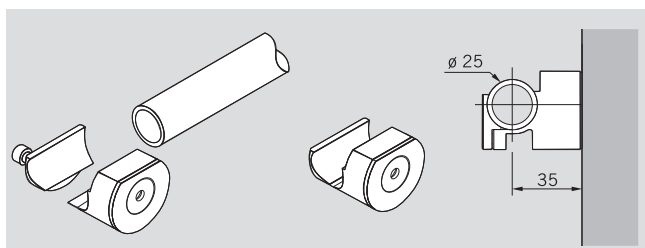
**Tubular track fixing at wall**



**Clamp fixing**

for tubular track at wall **Art. No. 29.175**

AISI 316L **Art. No. 29.184**

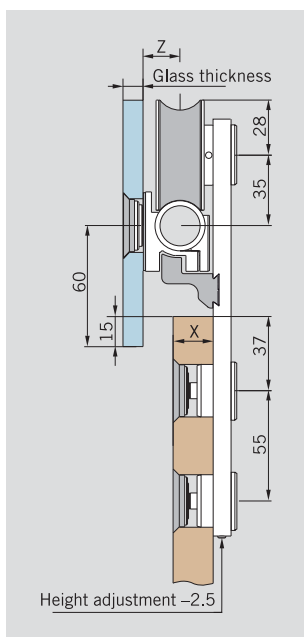


**Clamp fixing**

for tubular track at wall  
16 mm extended **Art. No. 29.178**

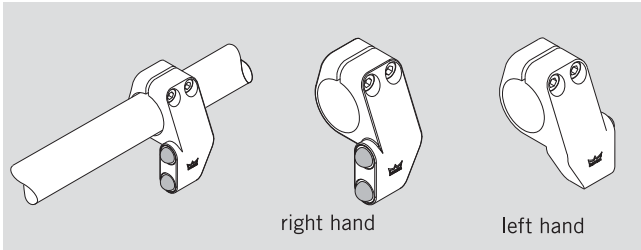
AISI 316L **Art. No. 29.187**

**Selection guide, tubular track fixing for timber doors**



X mm	Z mm	max. door weight kg	to glass		to wall	
			Clamp fixing for track <b>Art. No.</b>	Clamp fixing for track <b>Art. No.</b>	countersunk	clamping disc
20 – 30	18.5	120	<b>29.175</b>		<b>29.176</b>	<b>29.177</b>
35 – 40	35	100	<b>29.178</b>		<b>29.179</b>	<b>29.180</b>

# TUBULAR TRACK AND ACCESSORIES



**Door stop**

left hand

**Art. No. 29.425**

AISI 316L

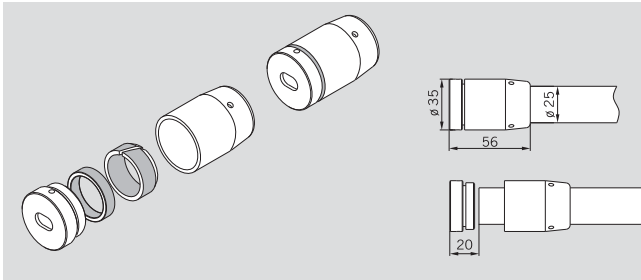
**Art. No. 29.427**

right hand

**Art. No. 29.426**

AISI 316L

**Art. No. 29.428**



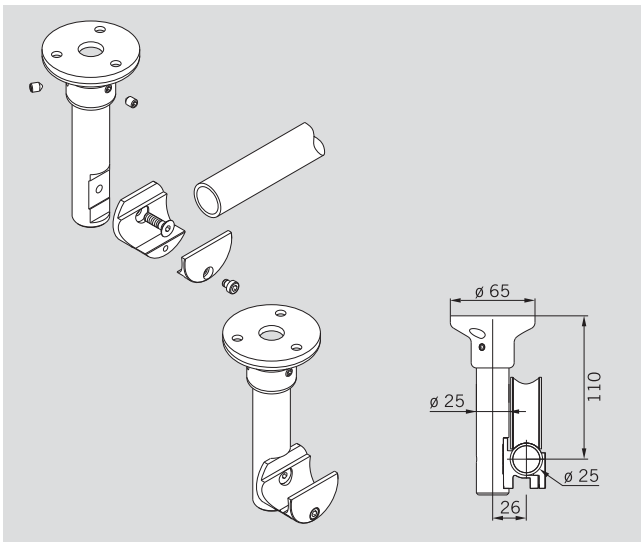
**Wall fixing for tubular track / solid track**

**Art. No. 29.445**

AISI 316L

**Art. No. 29.446**

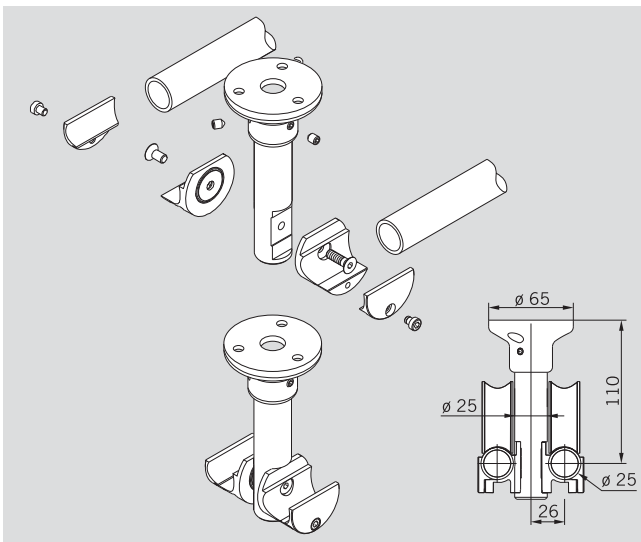
**Tubular track fixing at ceiling**



**Ceiling retainer**

for tubular track,  
carrying function

**Art. No. 21.316**



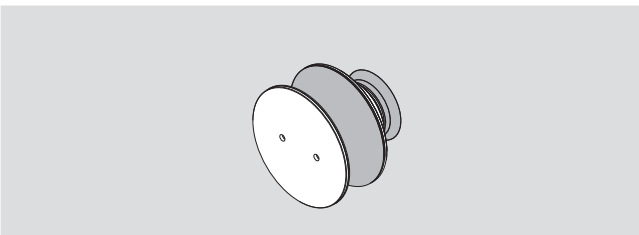
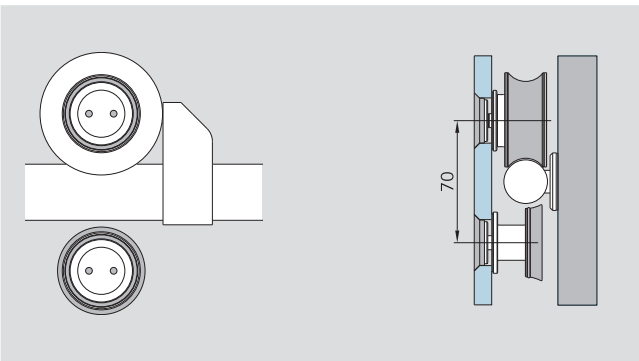
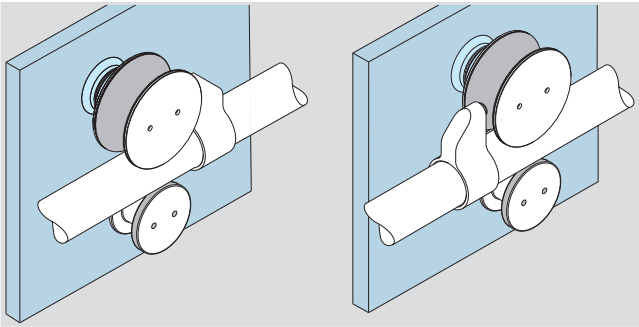
**Ceiling retainer doubly**

for tubular track,  
carrying function

**Art. No. 21.317**



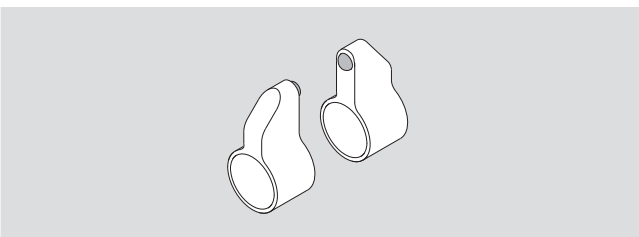
**Roller at glass**



**Roller at glass**  
for 8 – 12 mm glass,  
countersunk  
clamping disc

**Art. No. 29.494**

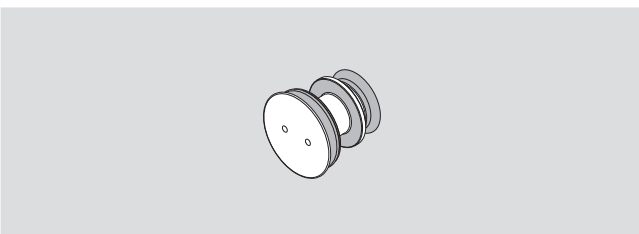
**Art. No. 29.495**



**Door stop**  
for roller at glass,  
left hand and right hand usable  
AISI 316L

**Art. No. 29.493**

**Art. No. 29.483**

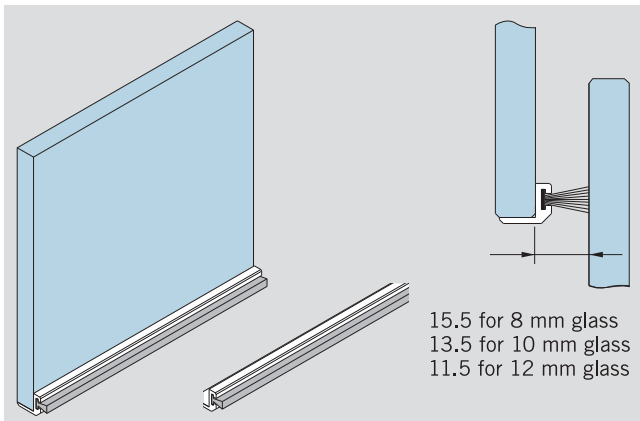


**Anti-jump device**  
for roller at glass  
for 8 – 12 mm glass,  
countersunk  
clamping disc

**Art. No. 29.497**

**Art. No. 29.498**

# ACCESSORIES



**Aluminium brush profile**

similar satin stainless steel

for 8 mm glass  
stock length 3000 mm

**Art. No. 07.402**

fixed length up to 6000 mm

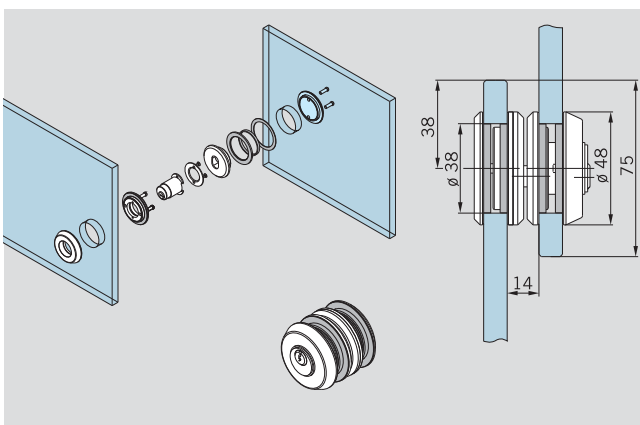
**Art. No. 07.403**

for 10/12 mm glass  
stock length 3000 mm

**Art. No. 07.400**

fixed length up to 6000 mm

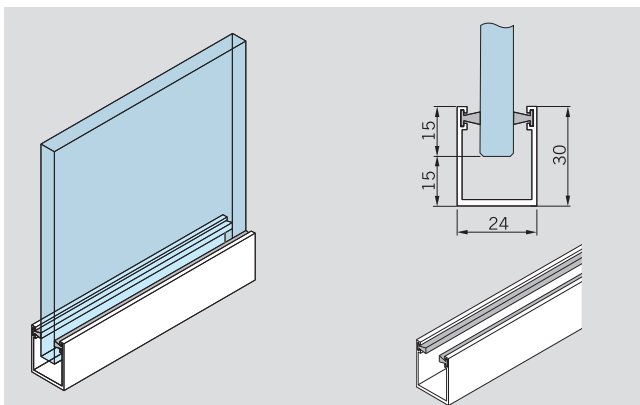
**Art. No. 07.401**



**Sliding door lock with ratchet brace**

for 8/10/12 mm glass  
AISI 316L

**Art. No. 21.446**



**Guide rail with brush seals**

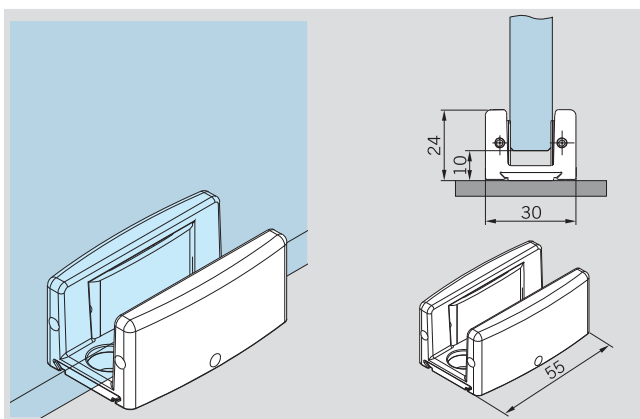
applicable for  
8/10/12 mm glass

aluminium mill finished  
fixed length up to 6000 mm

**Art. No. 21.431**

stock length 3000 mm

**Art. No. 21.432**



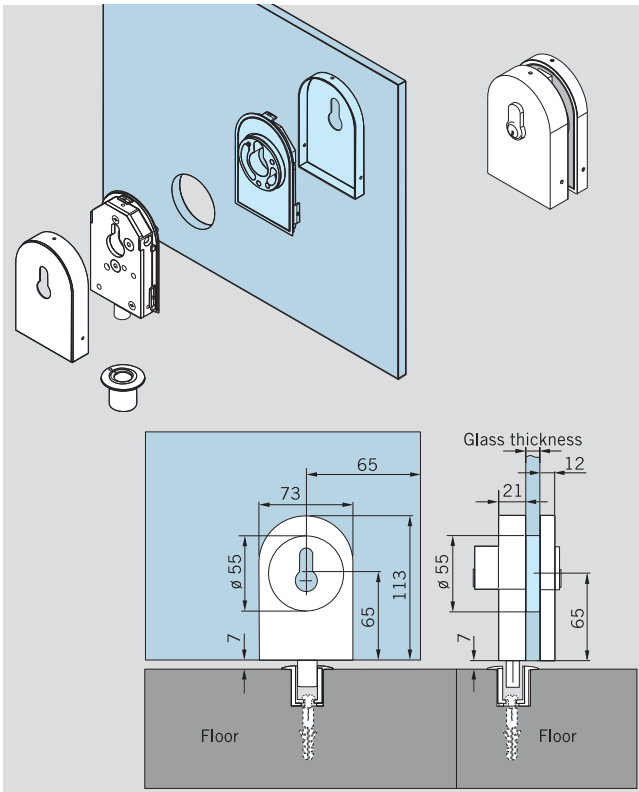
**Floor guide**

clamping disc,  
applicable for  
8/13.5 mm glass

**Art. No. 07.316**

**Art. No. 07.316**

aluminium 113  
(similar satin stainless steel)

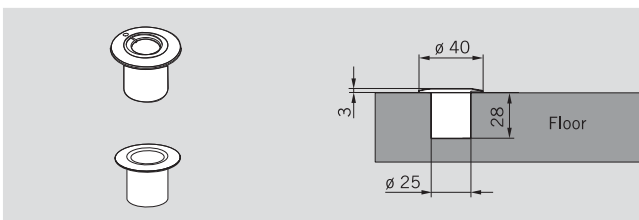


**Corner lock**  
for 8 – 12 mm glass, **Art. No. 21.448**

**Corner lock**  
with profile cylinder rose  
on inside  
for 8 – 12 mm glass **Art. No. 21.449**

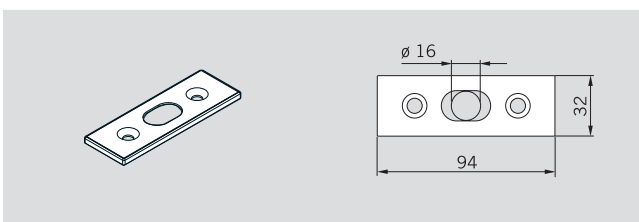
**Dead lock for KABA**  
with rose on inside  
for 8 – 12 mm glass **Art. No. 21.450**

**Profile cylinder**  
for corner lock **Art. No. 14.206**

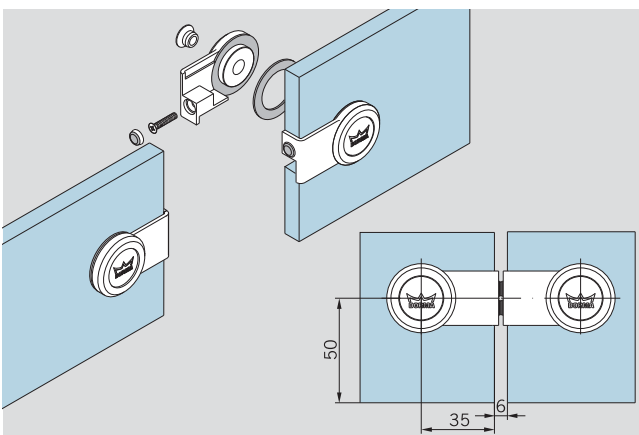


**Eccentric bushing**  
for corner lock **Art. No. 05.194**

**Bushing, plastics**  
**Art. No. 00.110**



**Strike plate** **Art. No. 05.190**

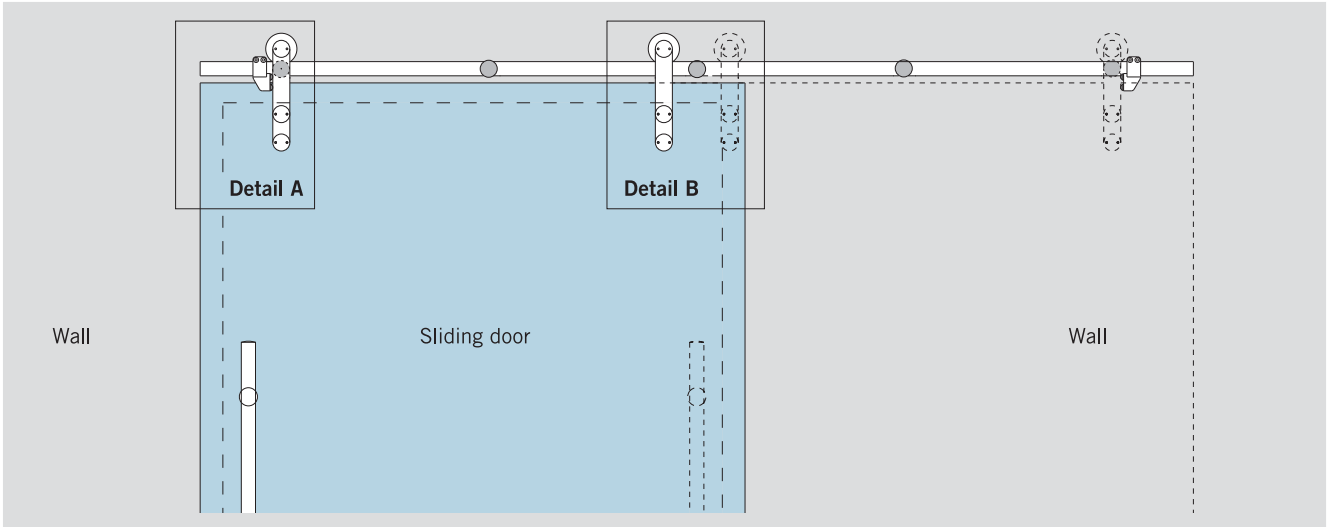


**Door steady,**  
to prevent glass edges of  
bi-parting double sliding doors **Art. No. 29.420**

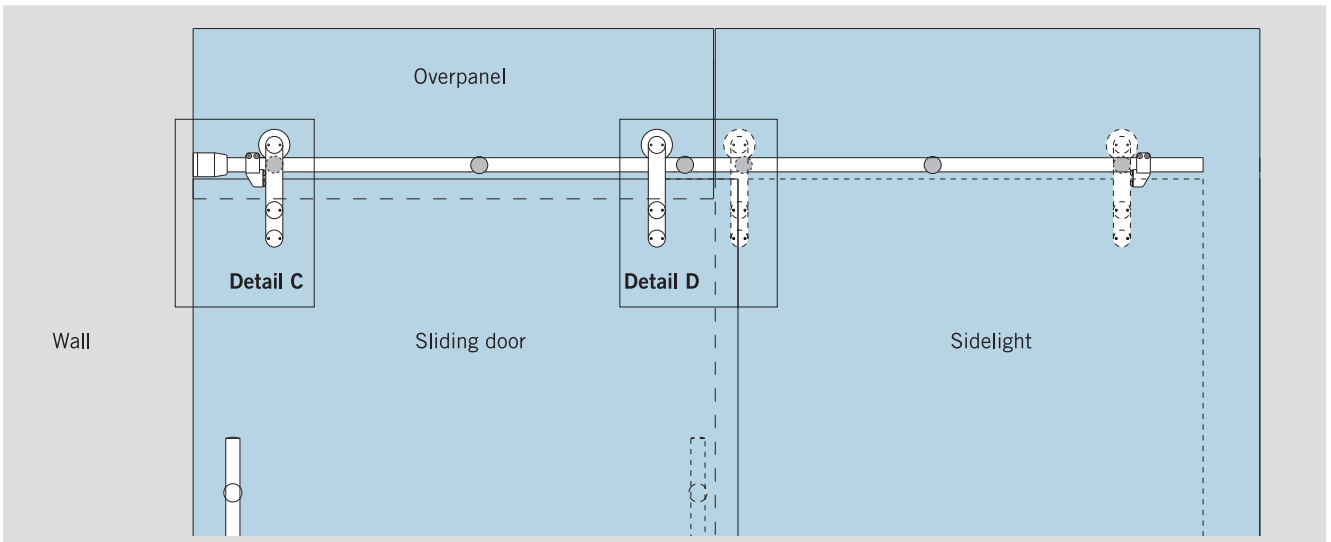
Please order for details for glass  
preparations our detail sheet  
29-044-B.

# GLASS PREPARATION FOR SLIDING DOOR SYSTEM

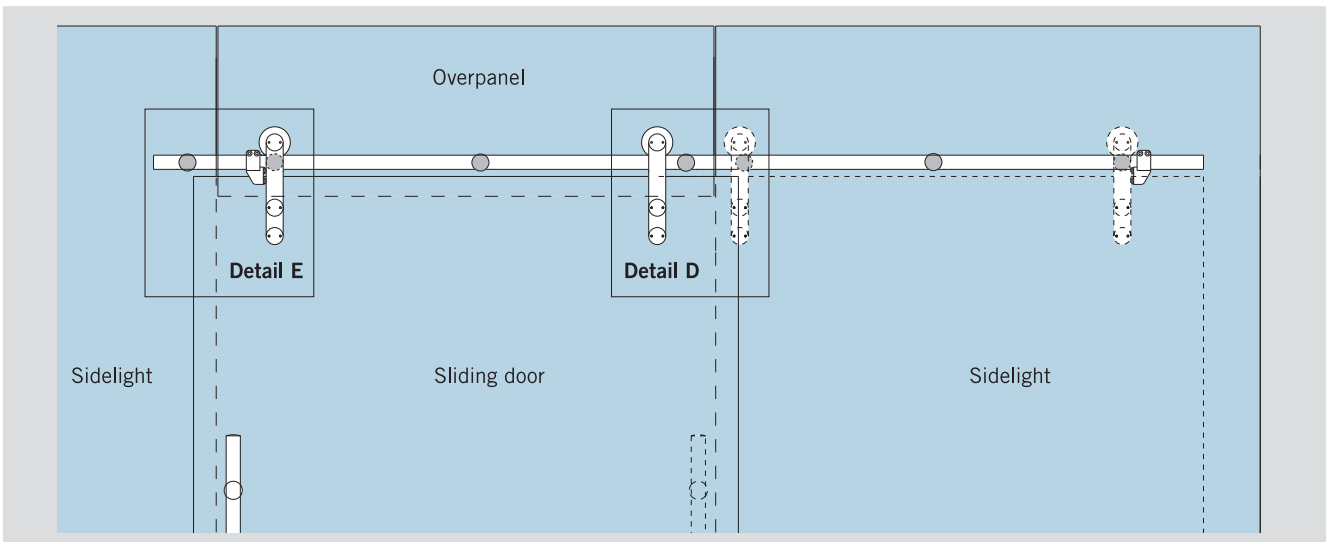
Sliding door to wall

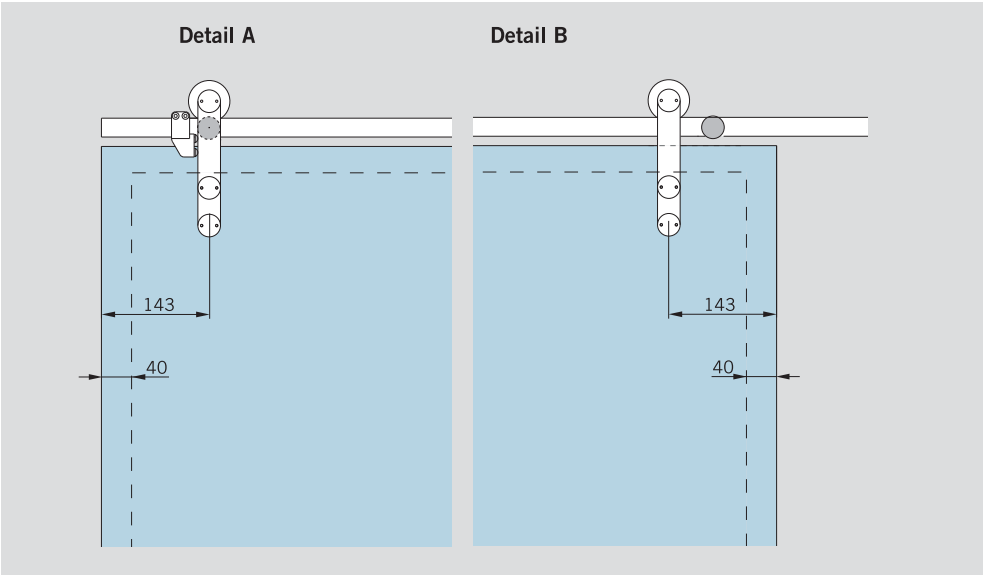


Sliding door with sidelight and overpanel

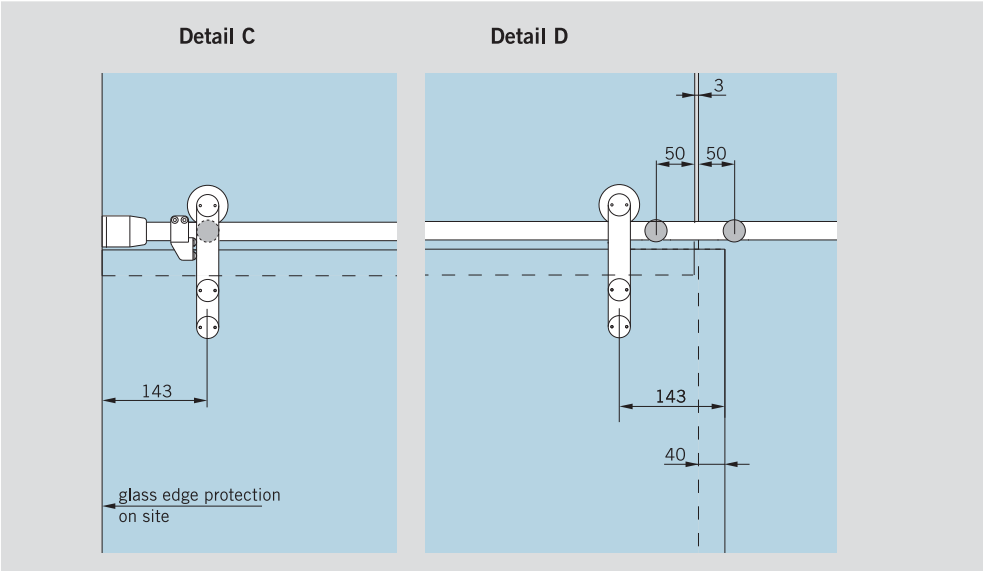
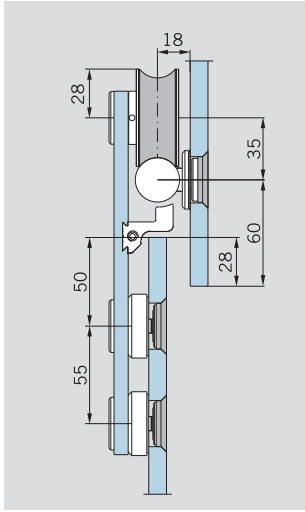


Sliding door with two sidelights and overpanel

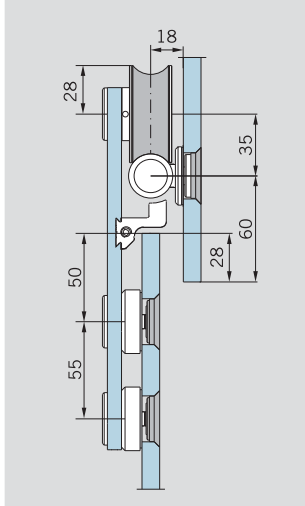




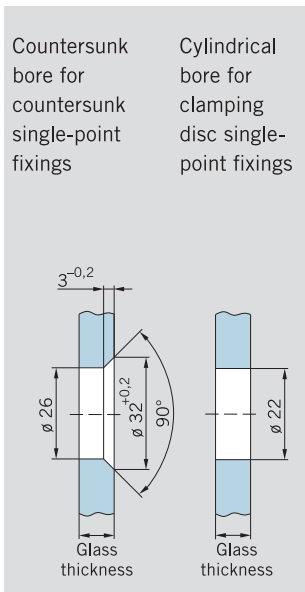
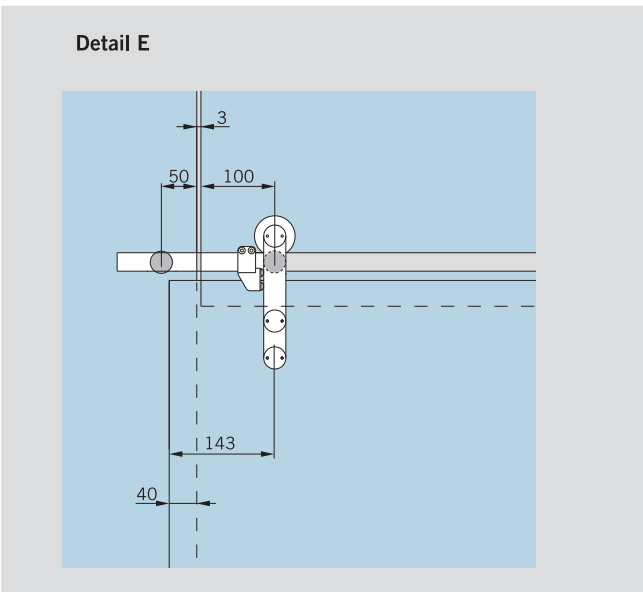
Sliding door with solid track



Sliding door with tubular track and clamp fixing



Dimensional data should be regarded exclusively as recommended values. Please remember when designing your system that the positions of the stops and point fixings must not vertically coincide. For spacing/interval recommendations when drilling the track holes, and for requisite dimensions for fixing the track rail, please refer to the table entitled "Recommended distance of the track fixing points".



# MANET CONCEPT



**Pivoting door system**

22 – 35



## PIVOTING DOOR SYSTEM

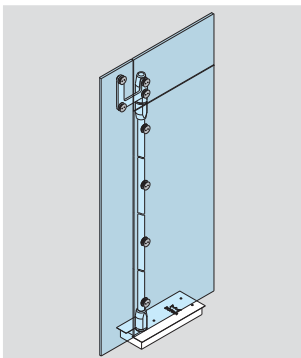
MANET pivoting doors can be installed in both glass partitions and masonry openings. They come as both single and double-action swing doors with a maximum weight of 100 kg and a maximum leaf width of 1200 mm.

All the single-point fixings are designed for clip-on covers for easier installation. Other components include the bottom pivot bearing, top pivot fittings with bearing spigot or eccentric bushing and also overpanel/sidelight connectors.

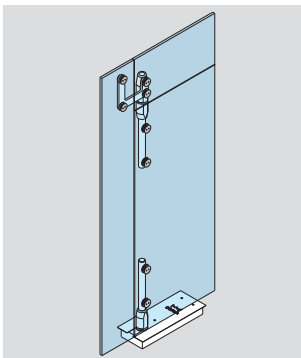
As a result, there are almost unlimited possibilities for integrating frameless swing doors

both in masonry openings – with or without overpanels and sidelights – and in glass partition constructions retained by single-point fixings.

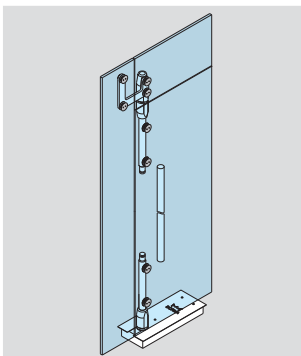
Whether with a full-length pivot rod or a pair of shorter pivot rods, the top bearing socket is located in the fitting on the door leaf. This means that connection to the ceiling, lintel or transom can now be provided in the form of the standard PT25 top pivot spigot from the DORMA range. The door assemblies can be equipped with floor springs such as the DORMA BTS 75V or BTS 84, and corner locks are naturally also available.



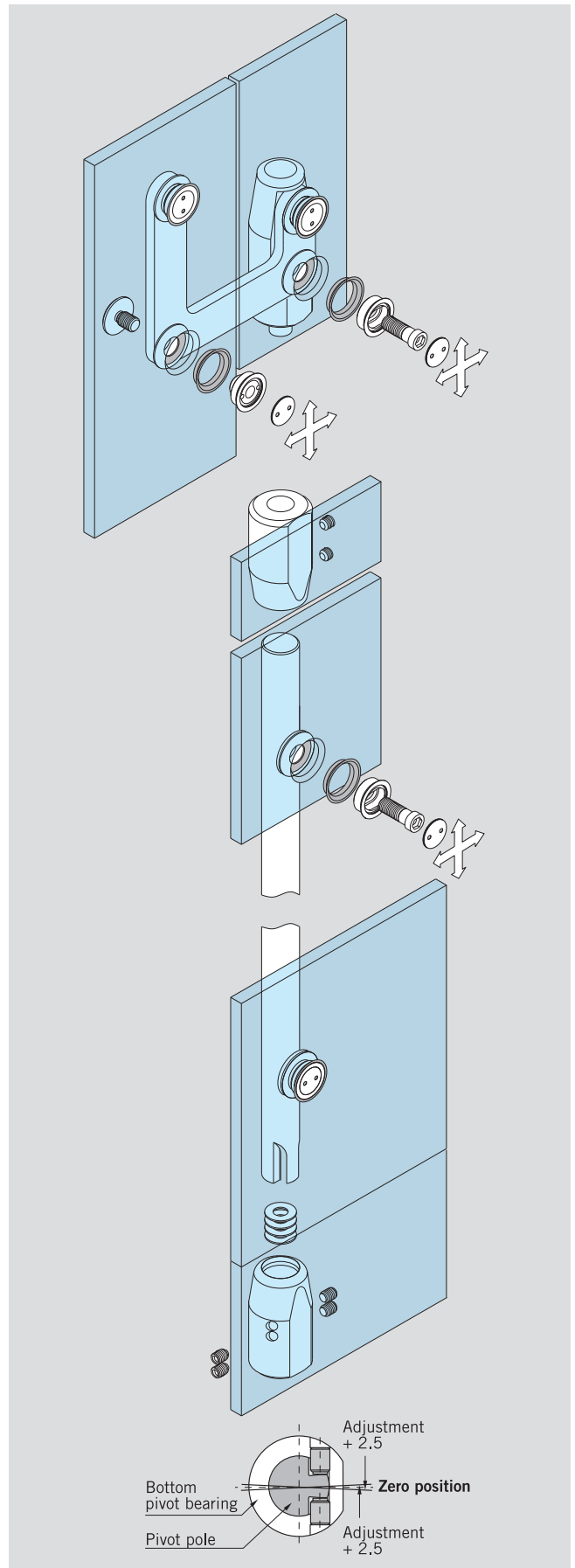
Pivot bearing with full-length pivot rod, max. door panel height 3000 mm



Pivot bearing with pivot rod pair short type, max. door panel height 2500 mm

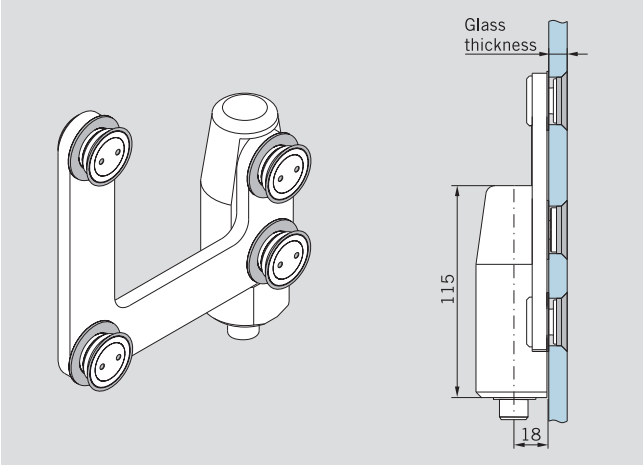


Pivot bearing with pivot rod pair short type with intermediate tube, max. door panel height 2500 mm





# COMPONENTS FOR PIVOTING DOOR SYSTEM



**Overpanel / sidelight connector**

complete fitting  
for 10/12 mm glass  
countersunk

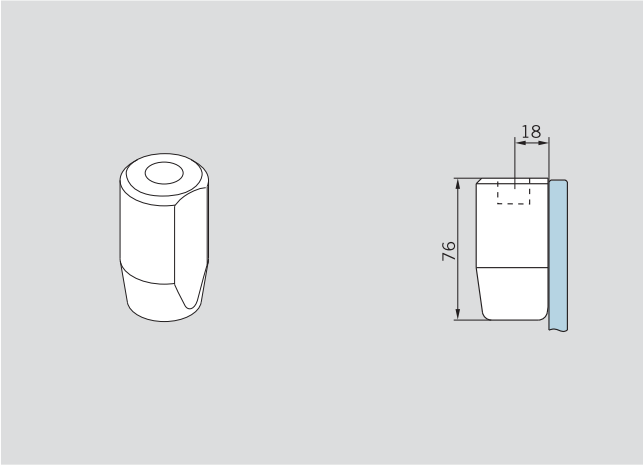
AISI 316L

clamping disc

**Art. No. 29.330**

**Art. No. 29.362**

**Art. No. 29.356**

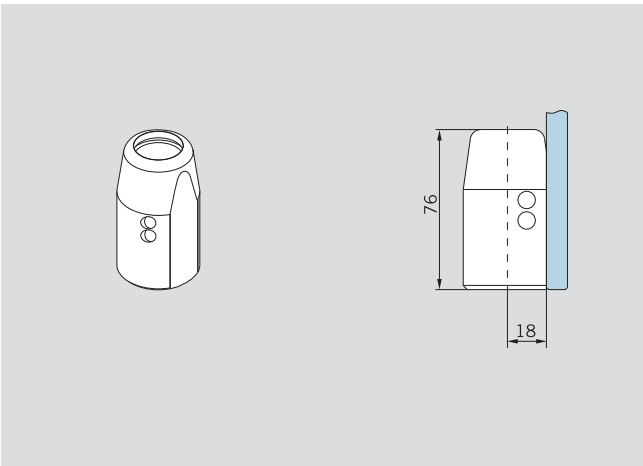


**Pivot bearing for overpanel  
and ceiling connection**

AISI 316L

**Art. No. 21.310**

**Art. No. 21.350**



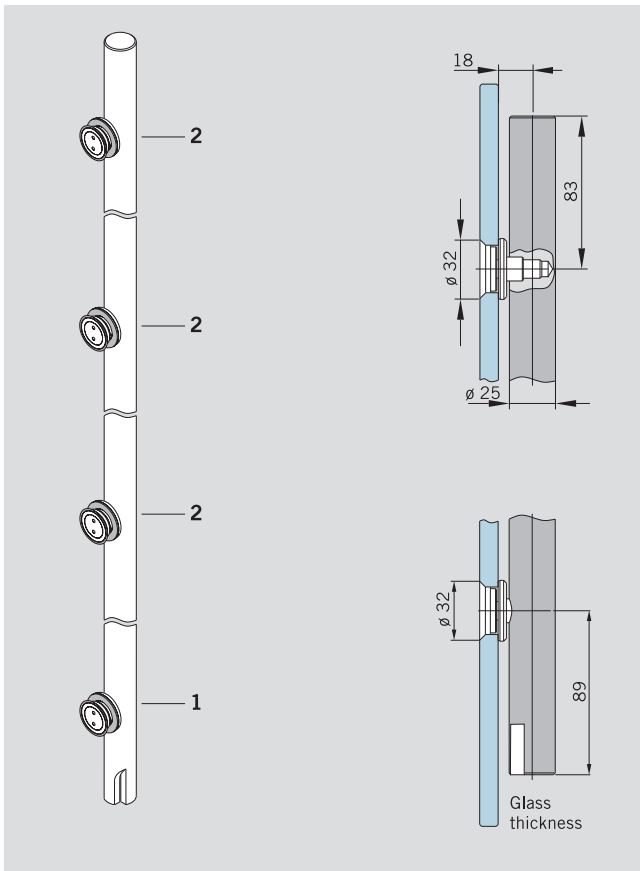
**Pivot bearing**  
for DORMA BTS (max. 4 EN) /  
floor pivot

AISI 316L

**Art. No. 29.545**

**Art. No. 29.550**

# COMPONENTS FOR PIVOTING DOOR SYSTEM



**Pivot rod,**  
drilled, fixed length **Art. No. 29.551**

**Single-point fixing,**  
countersunk, fixed (1) **Art. No. 29.460**  
for 10/12 mm glass

AISI 316L **Art. No. 29.461**

for 13.5 – 15.5 mm glass **Art. No. 29.450**

**clamping disc, fixed (1)**  
for 10/12 mm glass **Art. No. 29.465**

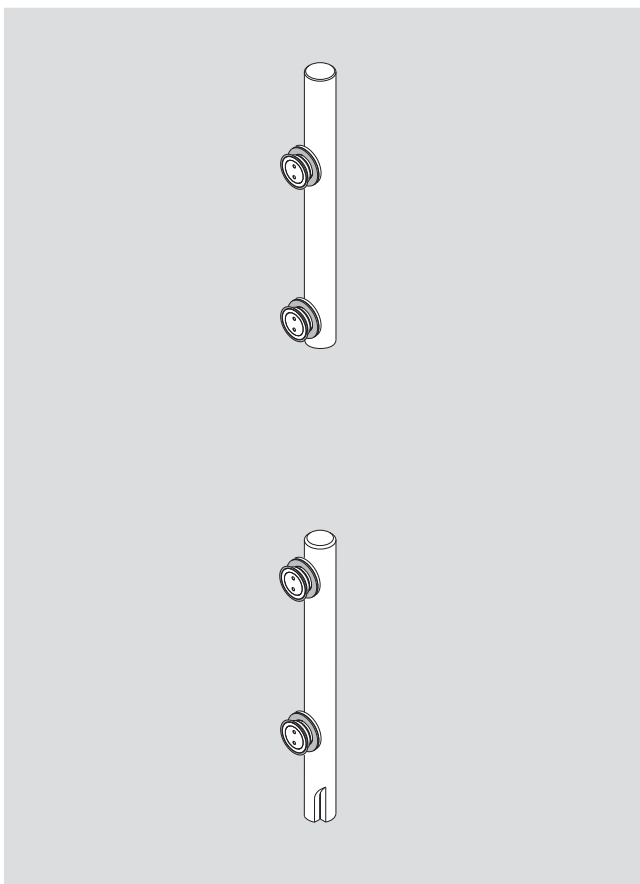
AISI 316L **Art. No. 29.466**

**Single-point fixing,**  
countersunk, centring (2) **Art. No. 29.462**  
for 10/12 mm glass

AISI 316L **Art. No. 29.463**

for 13.5 – 15.5 mm glass **Art. No. 29.455**

**clamping disc, centring (2)**  
for 10/12 mm glass **Art. No. 29.467**

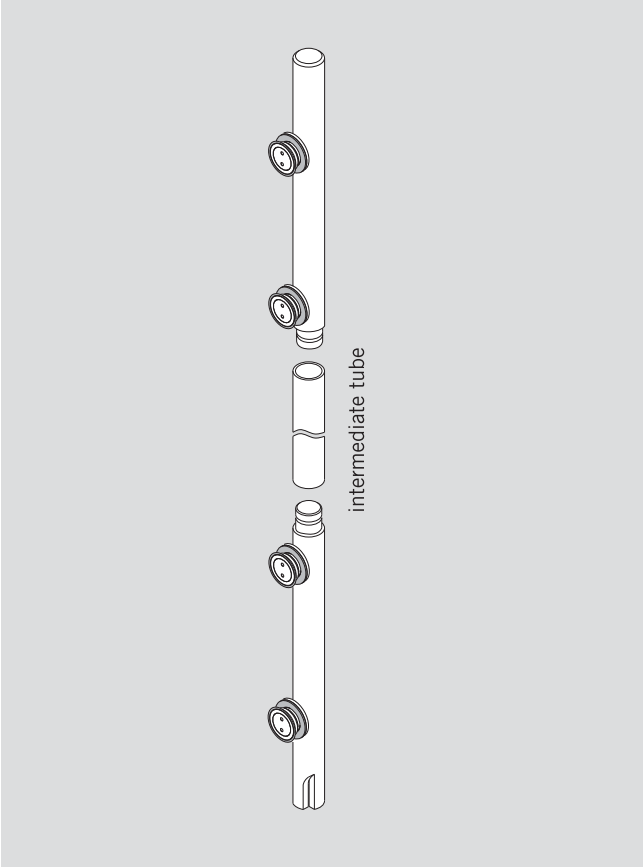


**Pivot rod set, short type**  
**top/bottom,**  
incl. 4 single-point fixings  
**countersunk** **Art. No. 29.546**

AISI 316L **Art. No. 29.547**

**clamping disc** **Art. No. 29.560**

AISI 316L **Art. No. 29.561**



**Pivot rod set, short type**  
**top / bottom,**  
 for intermediate tube,  
 inclusive 4 single-point fixings

**countersunk** Art. No. 29.548

AISI 316L Art. No. 29.549

**clamping disc** Art. No. 29.562

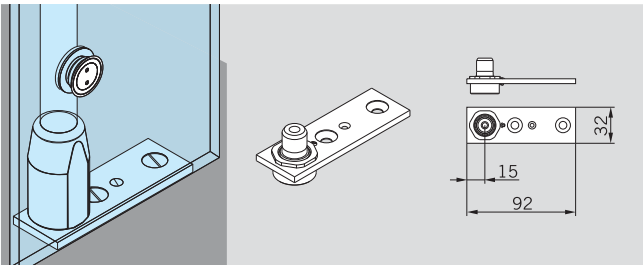
AISI 316L Art. No. 29.563

**Intermediate tube**  
 fixed length up to 2000 mm Art. No. 29.555

AISI 316L Art. No. 29.557



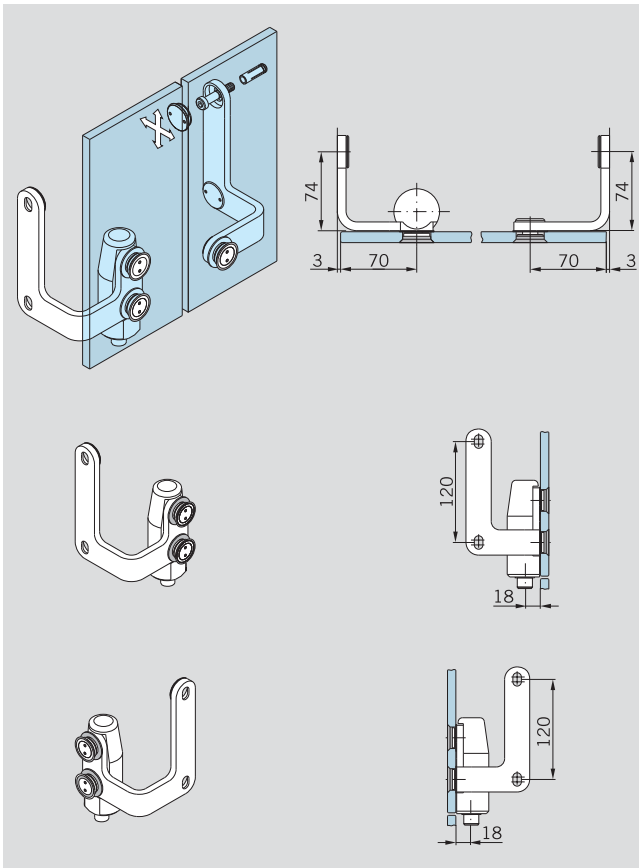
**Pivot bearing for humid rooms**  
 AISI 316L Art. No. 29.540



**Floor pivot** Art. No. 01.106

# COMPONENTS FOR PIVOTING DOOR SYSTEM

## Wall fixing



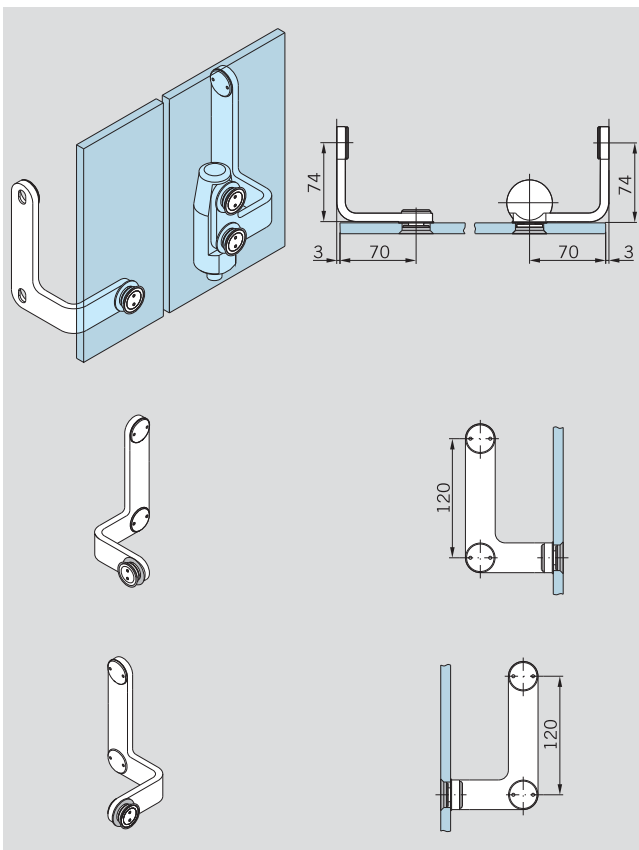
**Overpanel / sidelight connector for wall fixing**  
 90° offset,  
 with pivot bearing location,  
 complete fitting  
 for 10/12 mm glass

**right hand**

**Art. No. 29.328**

**left hand**

**Art. No. 29.329**



**Overpanel / sidelight connector for wall fixing**  
 90° offset,  
 complete fitting  
 for 10/12 mm glass

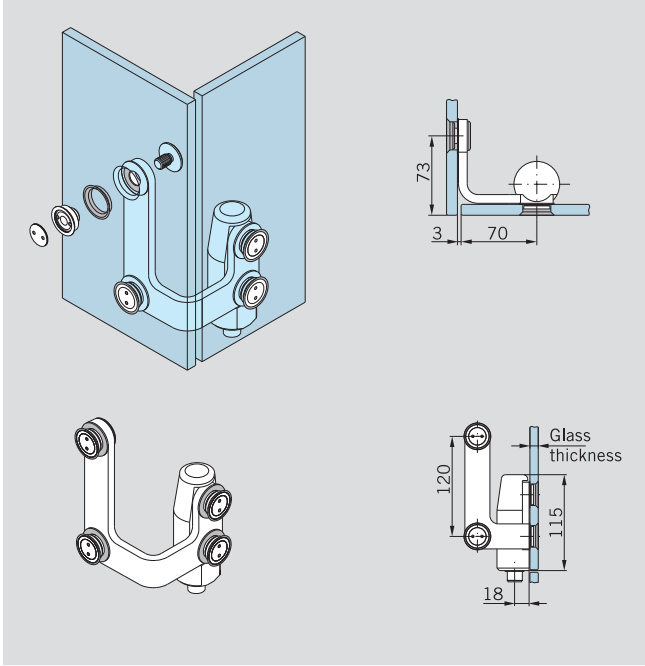
**right hand**

**Art. No. 29.326**

**left hand**

**Art. No. 29.327**

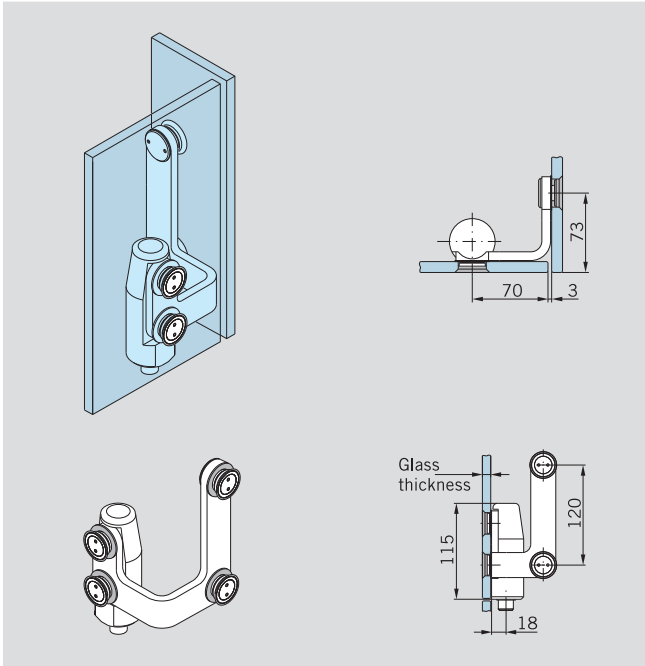
Glass fixing



**Overpanel / sidelight connector for glass fixing**  
 90° offset,  
 with pivot bearing location,  
 complete fitting  
 for 10/12 mm glass

right hand

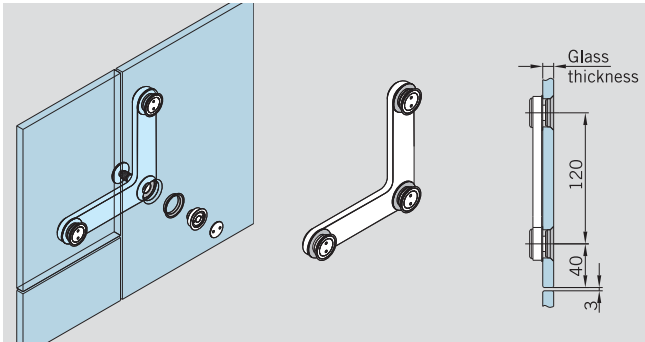
Art. No. 29.331



**Overpanel / sidelight connector for glass fixing**  
 90° offset,  
 with pivot bearing location,  
 complete fitting  
 for 10/12 mm glass

left hand

Art. No. 29.332

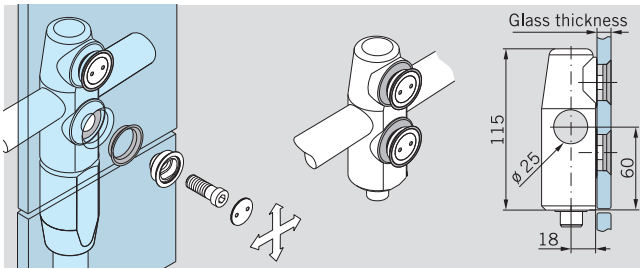


**Overpanel / sidelight connection**  
 for 10/12 mm glass,  
 countersunk  
 clamping disc

Art. No. 29.320

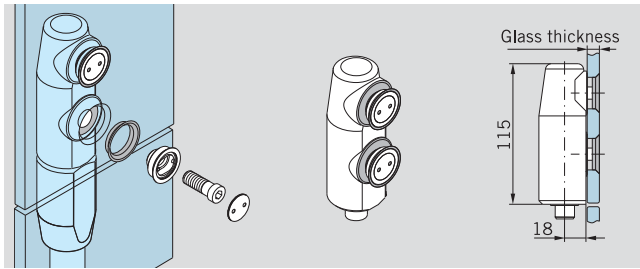
Art. No. 29.357

# COMPONENTS FOR PIVOTING DOOR SYSTEM



**Pivot bearing fitting for overpanel with cylindrical bore for rod**  
for 8 – 12 mm glass, countersunk

**Art. No. 29.354**



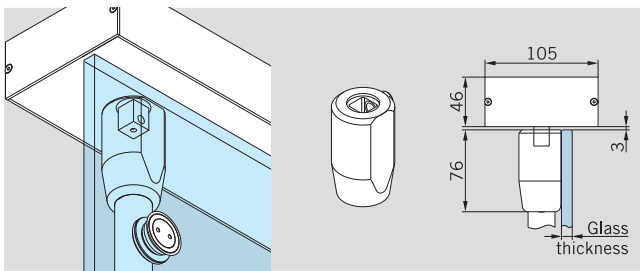
**Pivot bearing location for overpanel**

for 8 – 12 mm glass, countersunk

**Art. No. 29.333**

AISI 316L

**Art. No. 29.353**

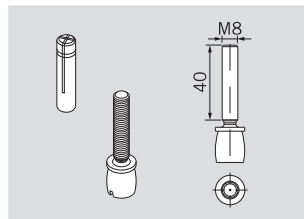
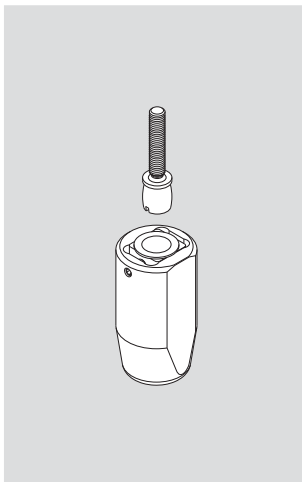


**Pivot bearing for RTS**

**Art. No. 29.314**

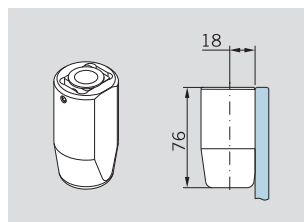
**Pivot pole, drilled, fixed length, for RTS pivot bearing 29.314**

**Art. No. 29.553**



**PT 25 pin**  
for ceiling connection, 15 mm Ø, with plug

**Art. No. 01.115**



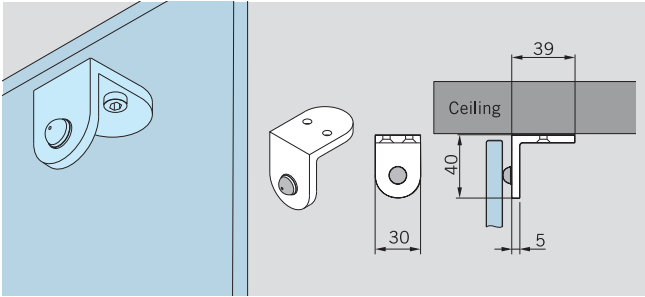
**Pivot bearing for installation to ceiling adjustable**

for 8 – 12 mm glass, AISI 316L

**Art. No. 21.319**

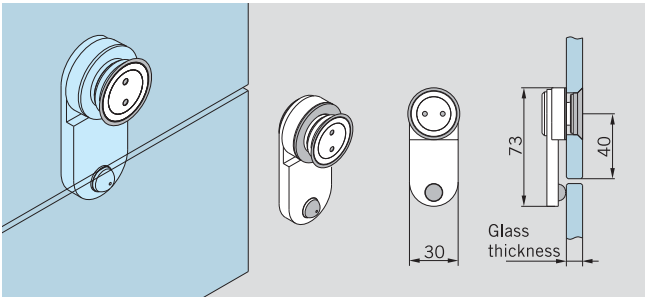
**Art. No. 21.318**

# ACCESSORIES



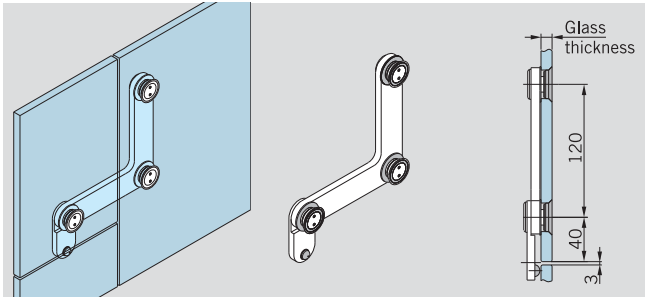
**Stop for pivoting door**  
with ceiling mounting

**Art. No. 21.334**



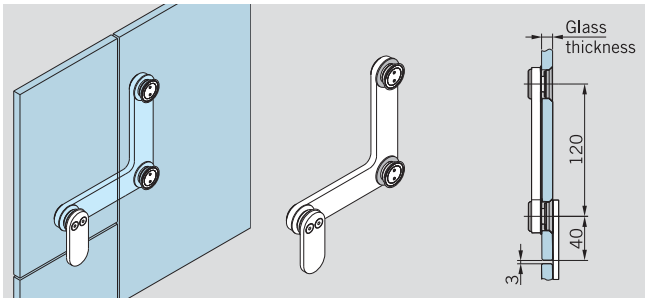
**Stop at overpanel**  
(inside/outside)  
for 10/12 mm glass,

**Art. No. 29.335**



**Overpanel / sidelight connection**  
with stop inside  
for 10/12 mm glass,  
countersunk

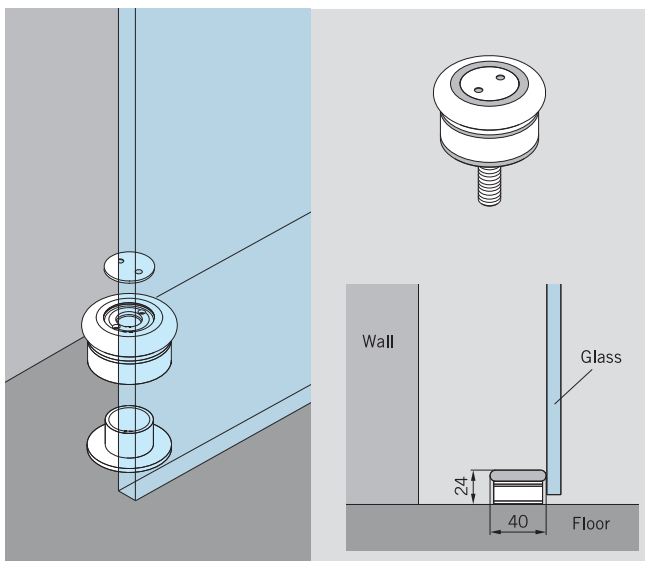
**Art. No. 29.322**



**Overpanel / sidelight connection**  
with stop outside  
for 10/12 mm glass,  
countersunk

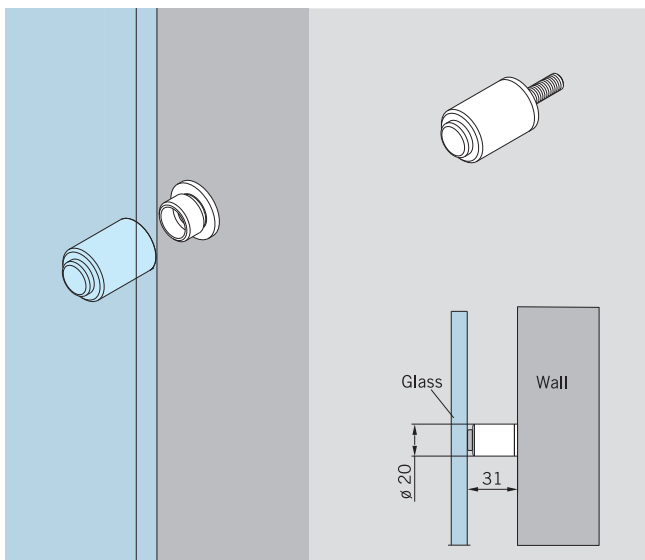
**Art. No. 29.325**

# ACCESSORIES



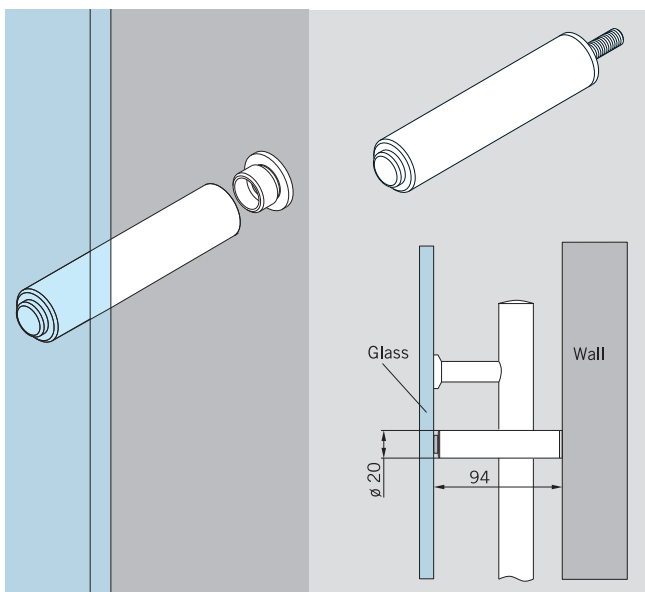
**Stop for pivoting door**  
floor mounting

**Art. No. 29.950**



**Stop for pivoting door**  
wall mounting, short

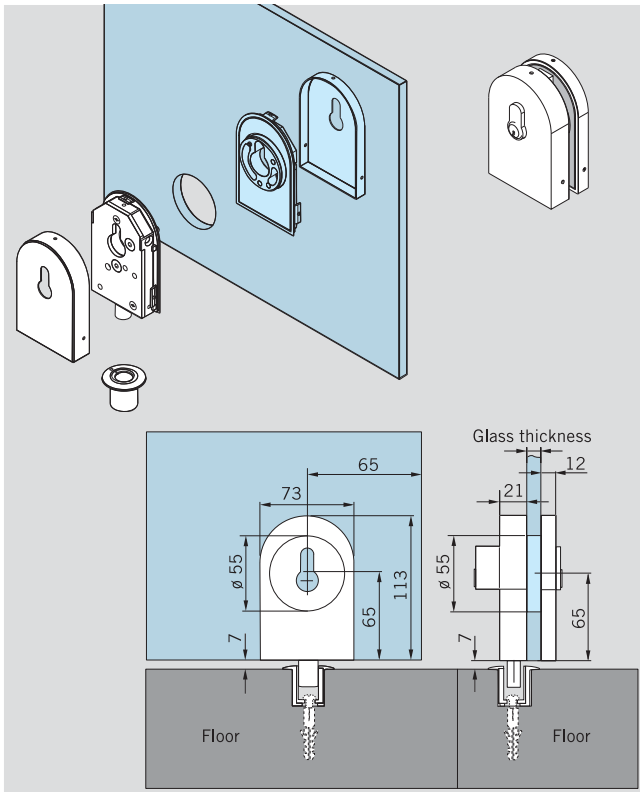
**Art. No. 29.951**



**Stop for pivoting door**  
wall mounting, long

**Art. No. 29.952**





**Corner lock**  
for 8 – 12 mm glass,

**Art. No. 21.448**

**Corner lock**  
with profile cylinder rose on  
inside for 8 – 12 mm glass

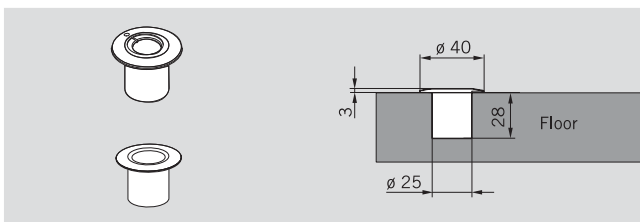
**Art. No. 21.449**

**Dead lock for KABA**  
with rose on inside  
for 8 – 12 mm glass

**Art. No. 21.450**

**Profile cylinder**  
for corner lock

**Art. No. 14.206**

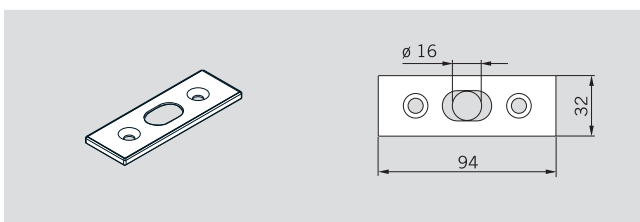


**Eccentric bushing**  
for corner lock

**Art. No. 05.194**

**Bushing,**  
plastics

**Art. No. 00.110**

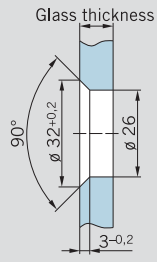


**Strike plate**

**Art. No. 05.190**

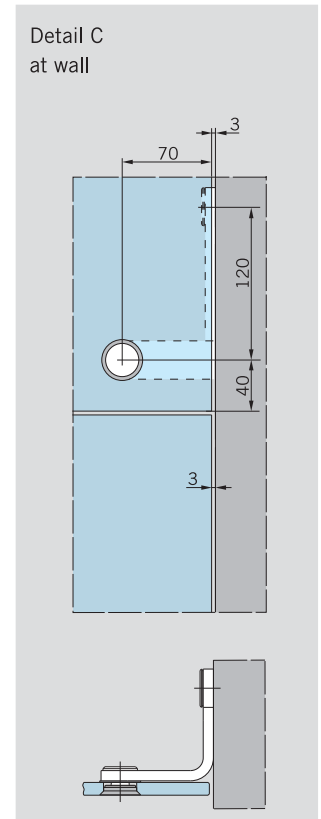
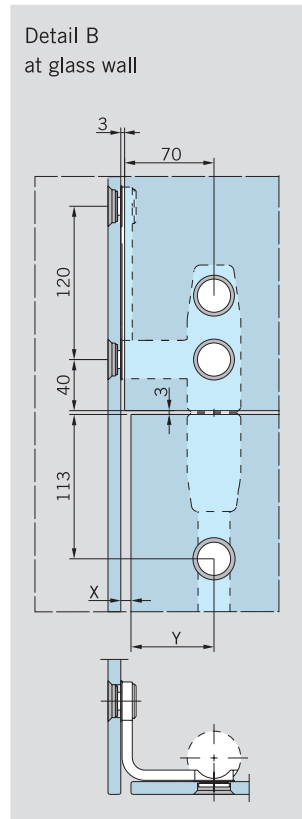
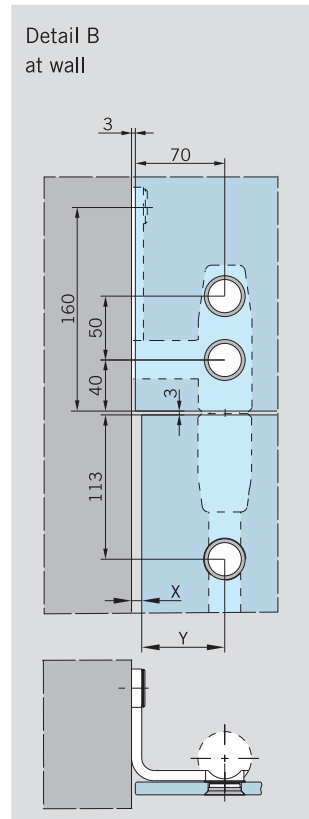
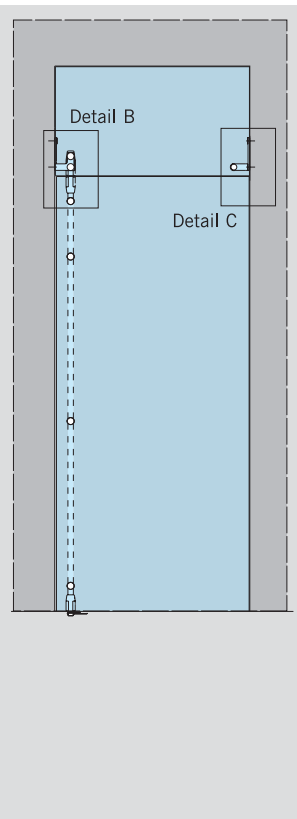
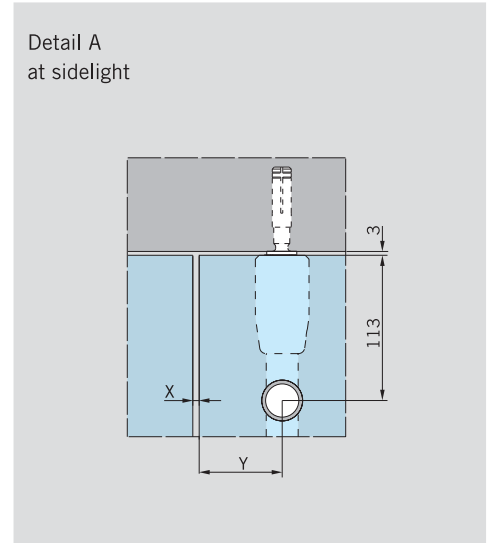
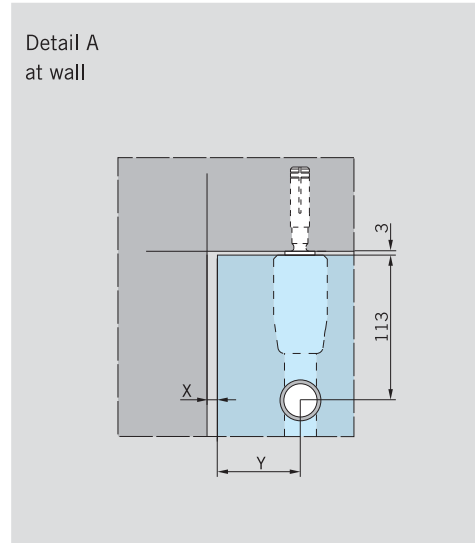
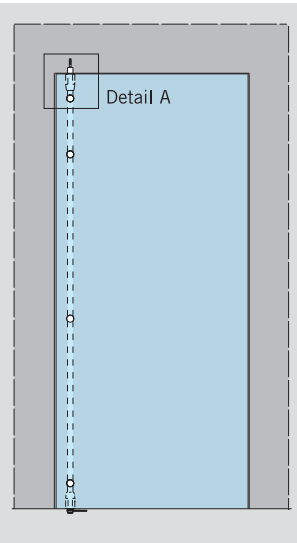
# GLASS PREPARATION FOR PIVOTING DOOR SYSTEM

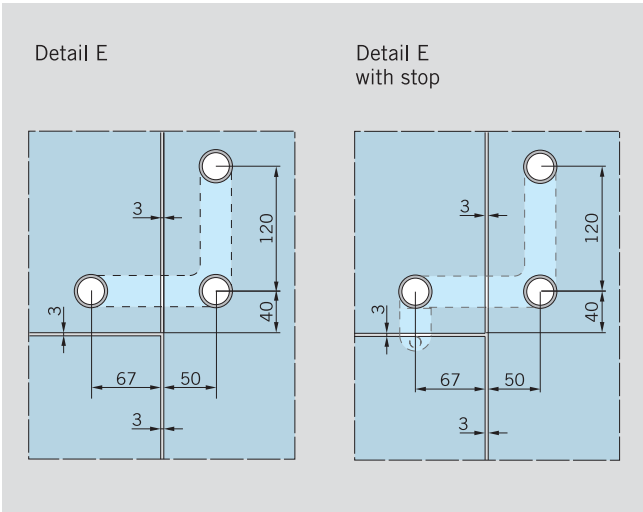
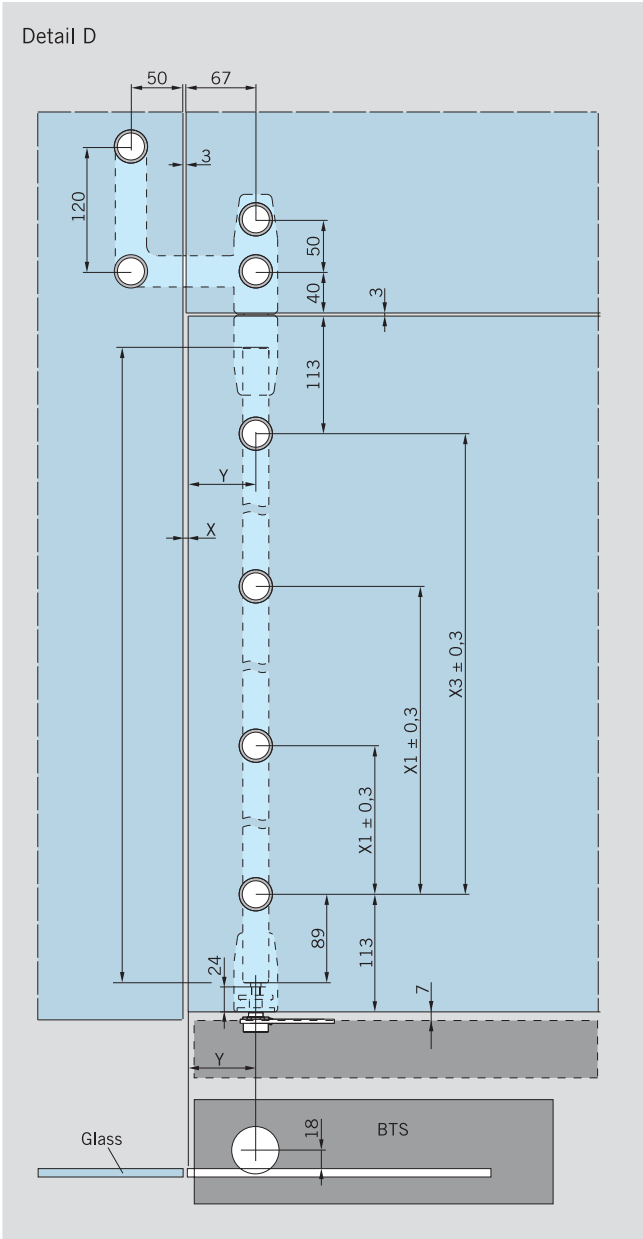
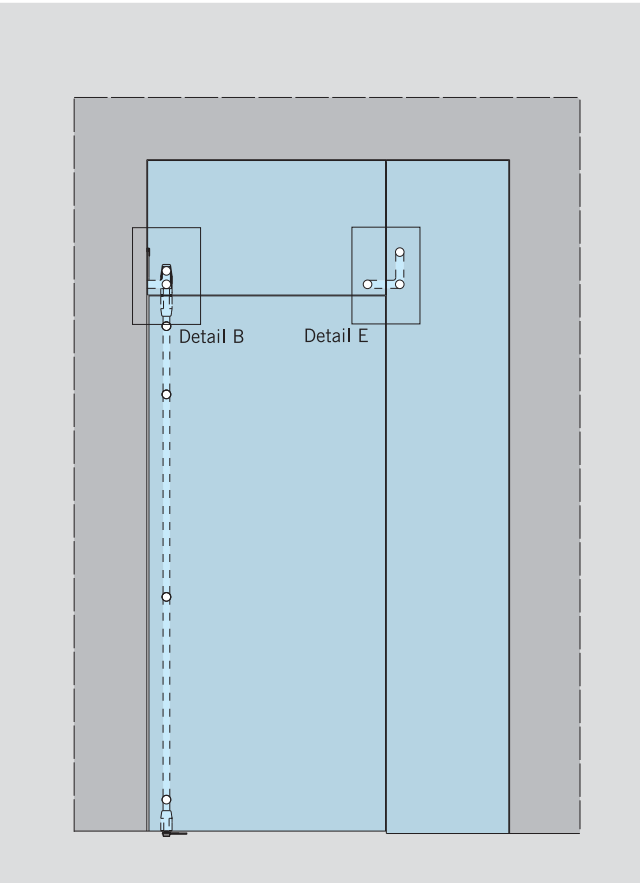
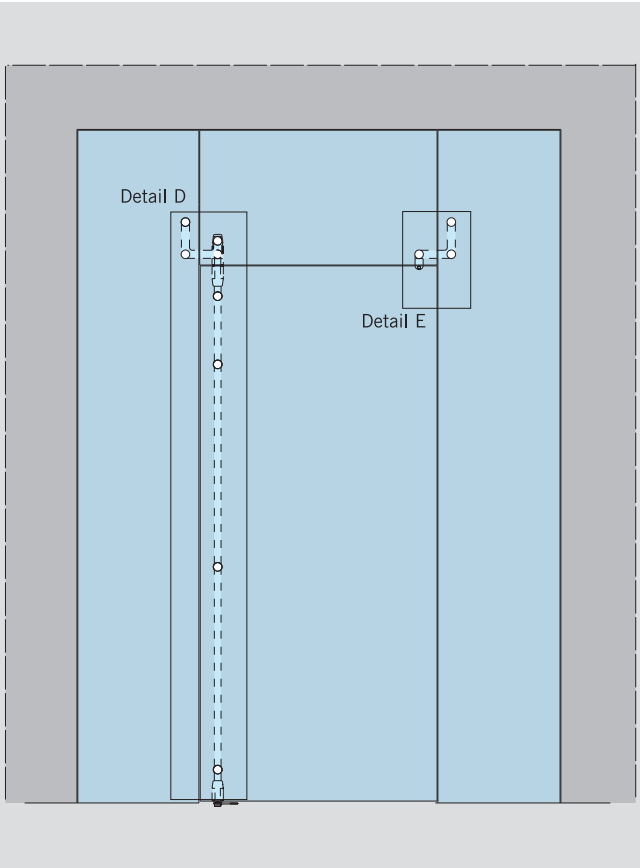
## Countersunk holes



The gap and distance dimensions recommended by DORMA are indicated in the adjacent table.

Glass thickness mm	Connection	X Gap	Y
10/12	Sidelight	5	65
	Wall	8	
13.5-15.5	Sidelight	8	62
	Wall	11	





# MANET CONCEPT

---

**Connection system**

36 – 43



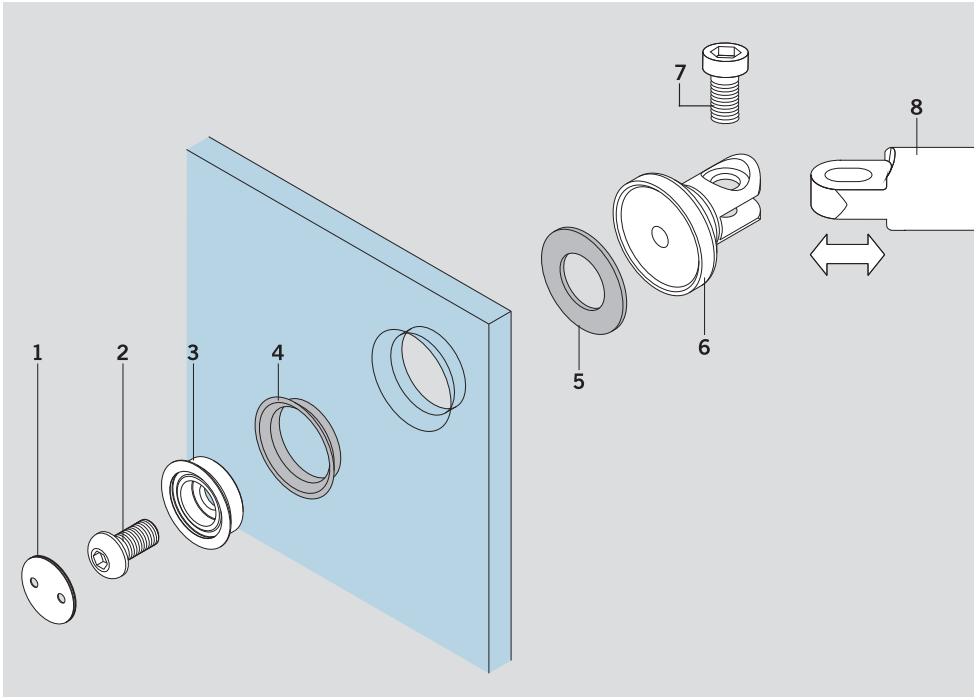
# CONNECTION SYSTEM

The system approach is very much in evidence in the case of the interconnecting components. Elements such as clamping and angle connectors of various designs and also interconnecting

fasteners of various lengths can be combined in order to attach glass of different thicknesses at any required angle to the floor, to ceilings, to walls and to plinth supports.

Single-point fixings flush with the glass are also used for this interconnection and glass-to-glass system. Tolerances are compensated by slotted holes in the interconnecting fasteners.

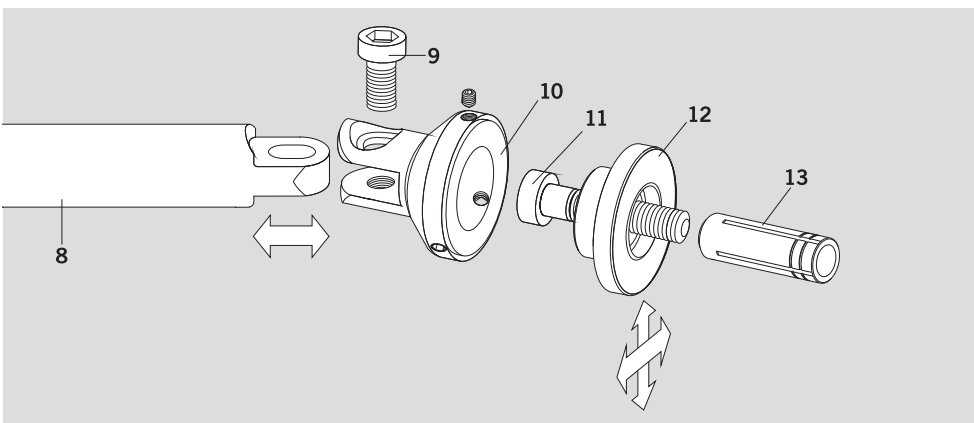
## Glass fixing



### Components

- 1 Clip-on cover
- 2 Connecting bolt
- 3 Conical collar
- 4 Conical sleeve
- 5 Gasket
- 6 Pivoting clamp
- 7 Connecting bolt
- 8 Connecting rod to suit length

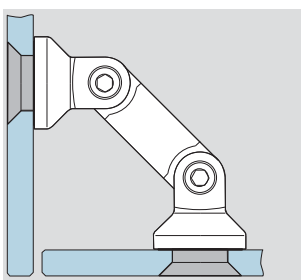
## Wall fixing



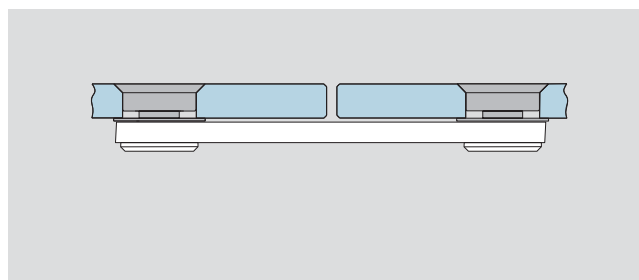
### Components

- 9 Connecting bolt
- 10 Pivoting clamp
- 11 Threaded rod M8 with small head, Length and type to suit wallplug
- 12 Mounting plate, 2-dimensional adjustment
- 13 Wallplug on site to suit wall construction

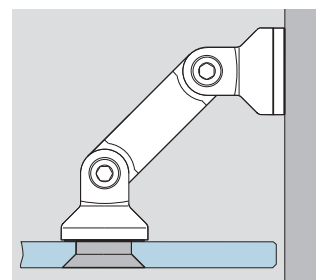
## 90° – 180° Glass / Glass



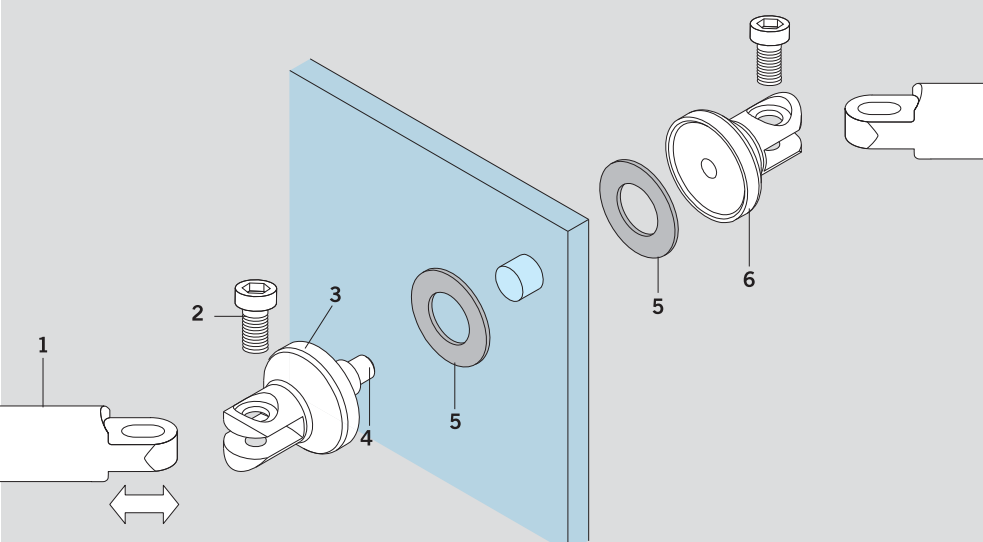
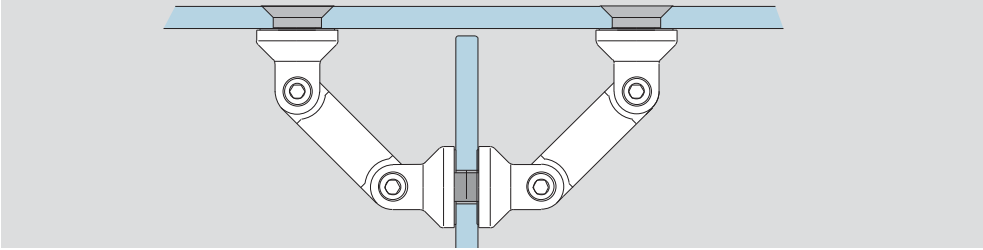
## Glass / Glass Connector



## 90° – 180° Glass / Wall



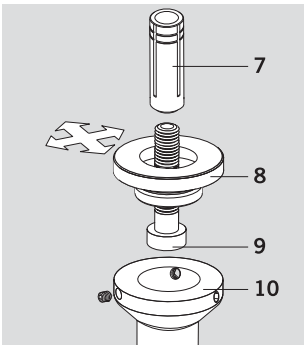
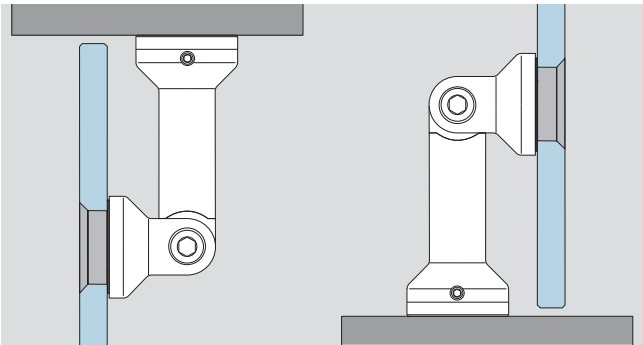
# CLAMP CONNECTION GLASS



**Components**

- 1 Connecting rod or steel cable
- 2 Connecting bolt
- 3 Pivoting clamp
- 4 Connecting bolt
- 5 Gasket
- 6 Pivoting clamp

# CONNECTION CEILING / FLOOR

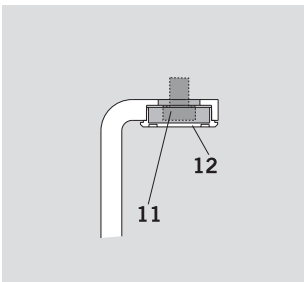
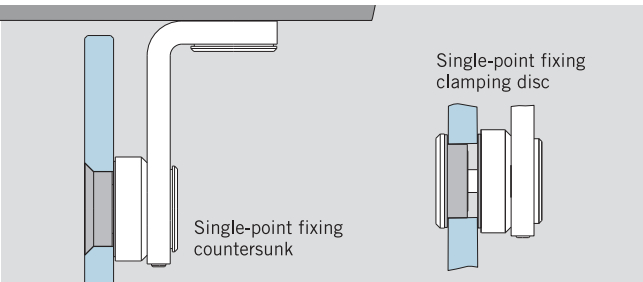


**Components**

- 7 Wallplug on site
- 8 Mounting plate, 2-dimensional adjustable
- 9 Threaded rod M8
- 10 Column

Ceiling suspension only permissible with bottom glass panel support.

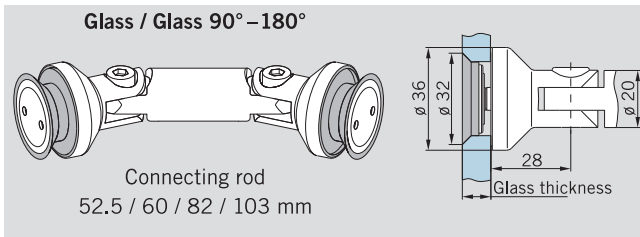
# ALTERNATIVE CONNECTION CEILING



**Components**

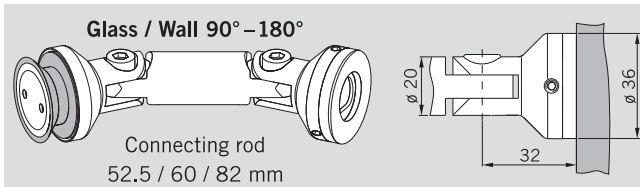
- 11 Threaded rod M8  
DIN 7984 M10 x..., or  
oval-head wood screw  
DIN 7996 M8 x...
- 12 Clip-on cover

# COMPLETE FITTING



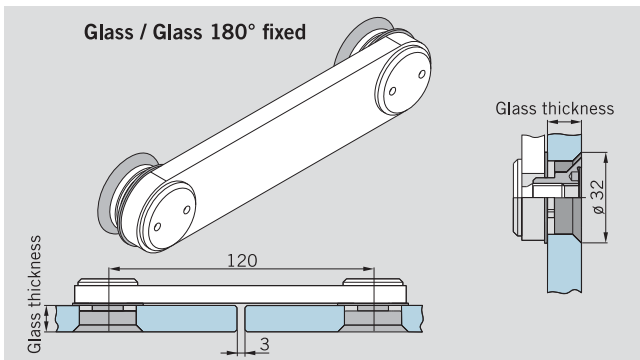
**Complete fitting glass / glass**  
for 8 – 12 mm glass thickness

- With connecting rod 52.5 mm **Art. No. 29.120**
- With connecting rod 60 mm **Art. No. 29.122**
- With connecting rod 82 mm **Art. No. 29.125**
- With connecting rod 103 mm **Art. No. 29.130**



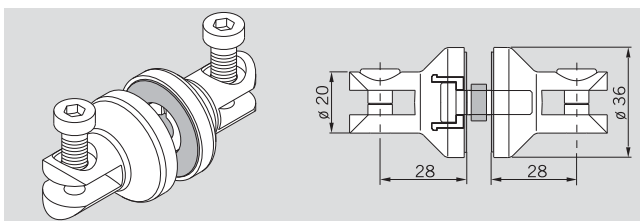
**Complete fitting glass / wall**  
for 8 – 12 mm glass thickness

- With connecting rod 52.5 mm **Art. No. 29.139**
- With connecting rod 60 mm **Art. No. 29.140**
- With connecting rod 82 mm **Art. No. 29.142**



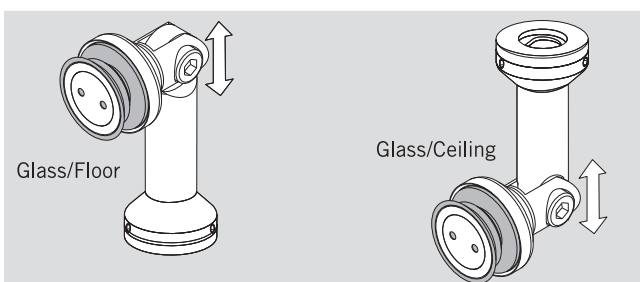
**Complete fitting Connector**  
for glass thickness 8 – 12 mm

- AISI 303 **Art. No. 29.148**
- AISI 316L **Art. No. 29.368**



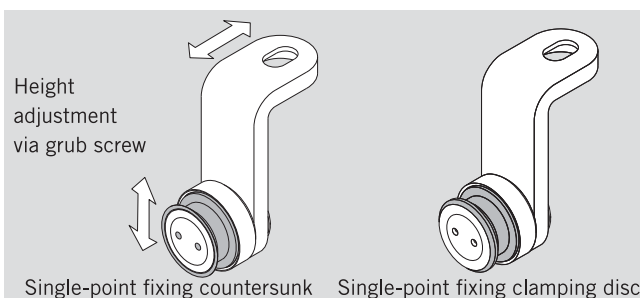
**Complete fitting Clamping connector**  
for glass thickness 8 – 12 mm

**Art. No. 29.149**



**Complete fitting Corner connector 90°**  
for glass thickness 8 – 12 mm  
(only bearing function)

**Art. No. 29.145**

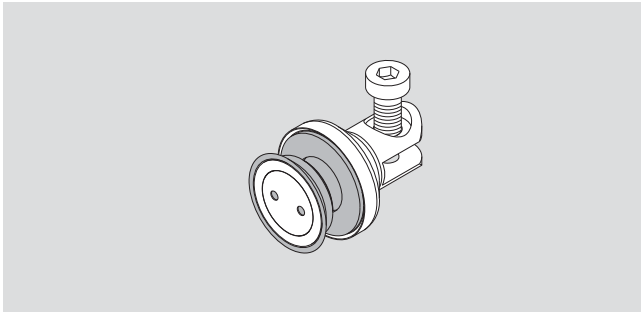


**Complete fitting Ceiling fixing**  
(bearing function)  
for glass thickness 8 – 12 mm  
countersunk

- AISI 316L **Art. No. 29.337**
- clamping disc **Art. No. 29.339**
- AISI 316L **Art. No. 29.338**
- Art. No. 29.340**



# COMPONENTS

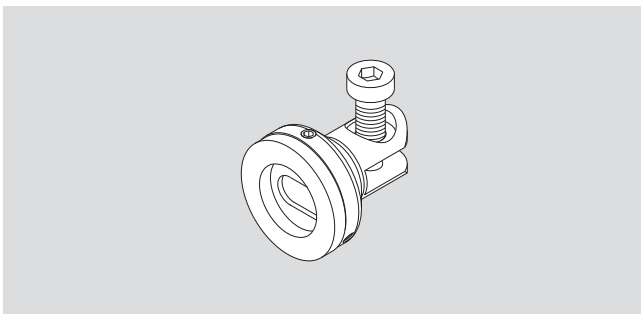


**Pivoting glass clamp**  
 inclusive screw sets  
 for 8 – 12, 13.5 – 17.5 and  
 17.5 – 21.5 mm glass,  
 countersunk

**Art. No. 29.160**

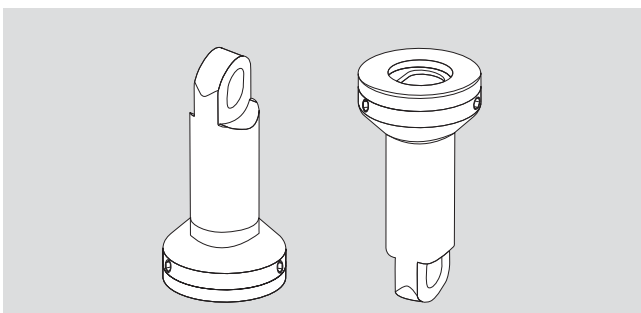
do., clamping disc

**Art. No. 29.165**



**Pivoting wall fixing**

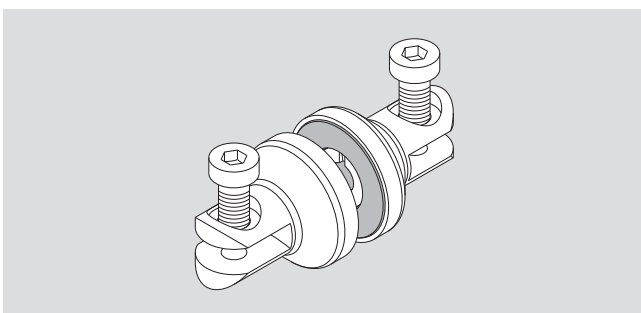
**Art. No. 21.141**



**Column**

Ceiling/floor fixing

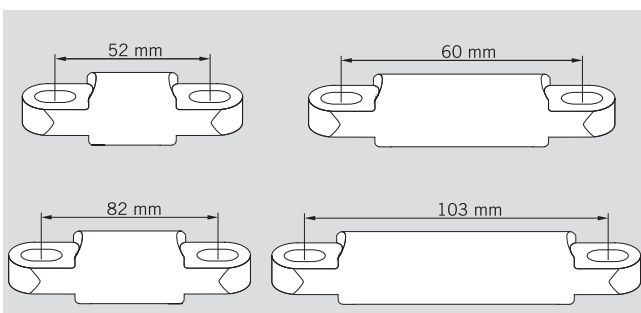
**Art. No. 21.146**



**Clamping connector**

for Glass thickness 8 – 12 mm

**Art. No. 29.149**



**Connecting rods**

Length 52.5 mm

**Art. No. 21.355**

Length 60 mm

**Art. No. 21.356**

Length 82 mm

**Art. No. 21.357**

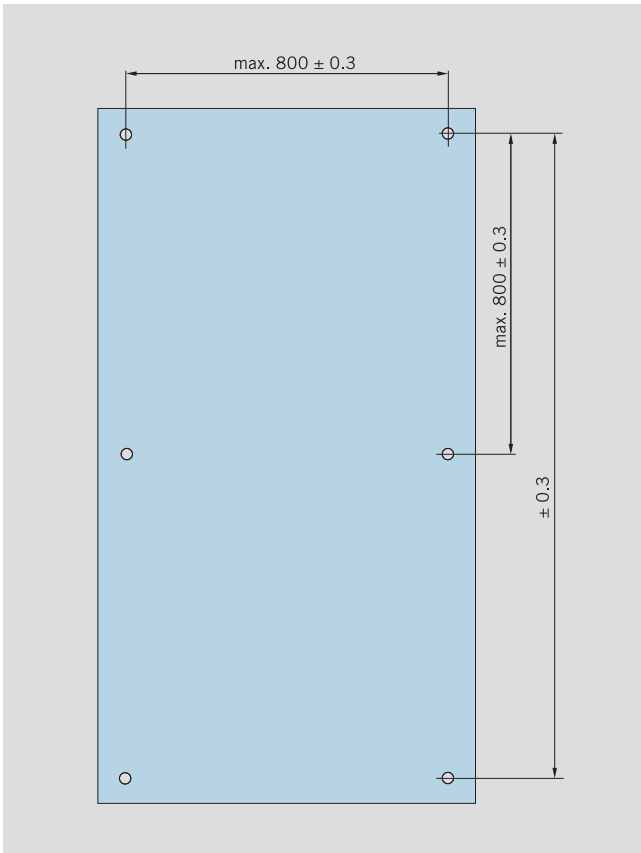
Length 103 mm

**Art. No. 21.358**

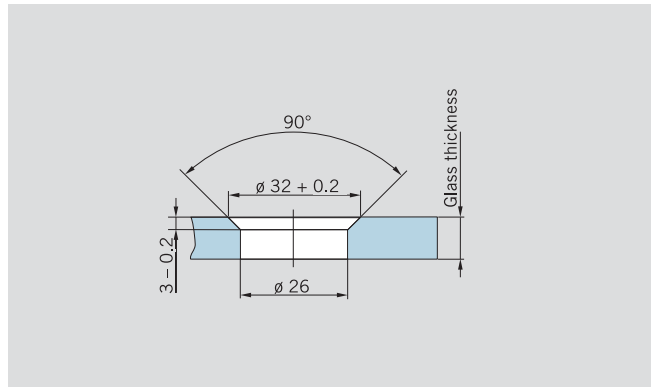
# GLASS PREPARATION CONNECTION SYSTEM

For TSG and LSG from TSG.

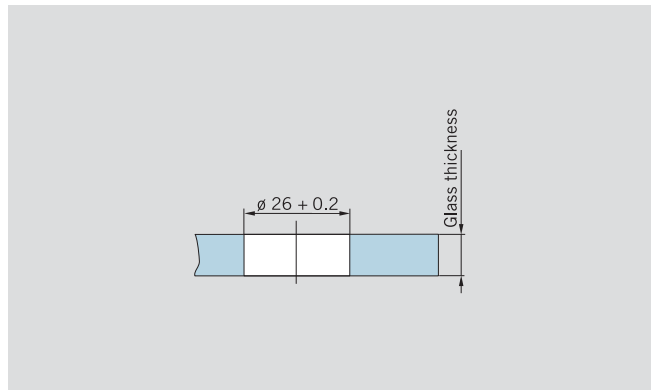
Recommended centres for fixed glazing element



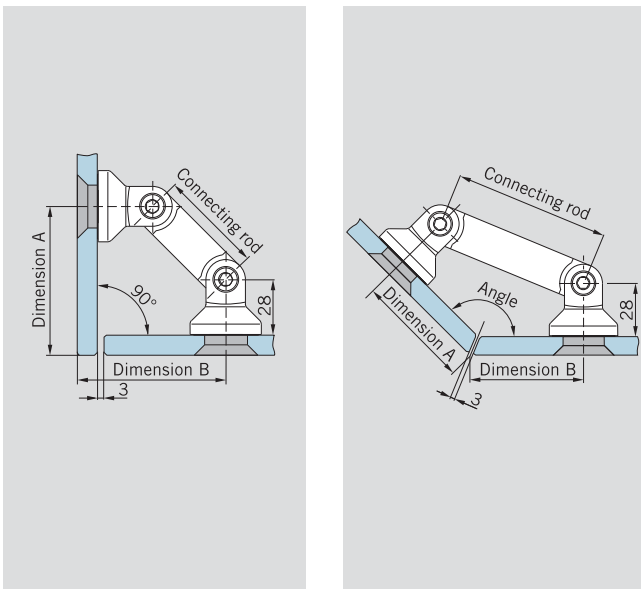
Countersunk bore for countersunk single-point fixings



Cylindrical bore for clamping disc single-point fixings



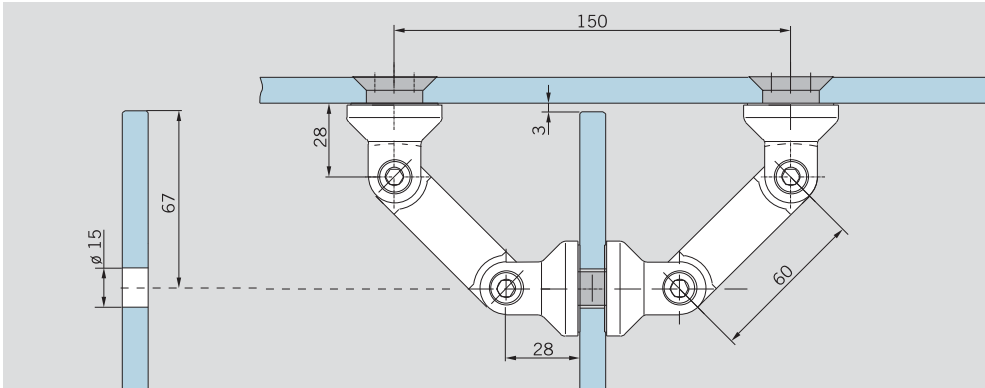
Corner connectors glass / glass 90 – 180°



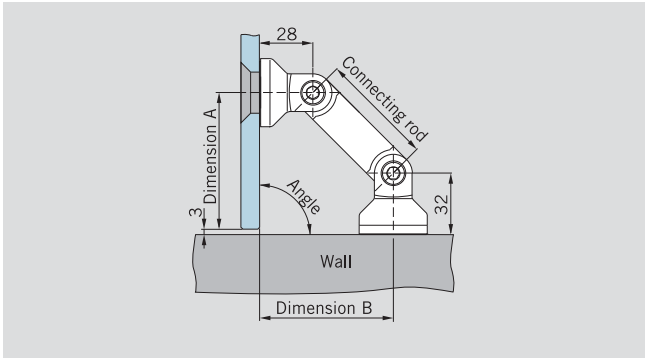
Corner connectors glass / glass (dimensions in mm)

Angle	Length of connecting rod			
	52,5	60	82	103
Dimensions for 10 mm glass thickness (consider variants for other glass thicknesses).				
90°	A/B	A/B	A/B	A/B
95°	75	80	96	
100°	70	75	90	
105°	66	71	85	
110°	62	67	81	
115°	59	63	77	
120°	55	60	73	
125°	52	56	69	
130°	49	54	66	
135°	47	51	63	
180°	44	48	60	
				50

**Clamping connector**



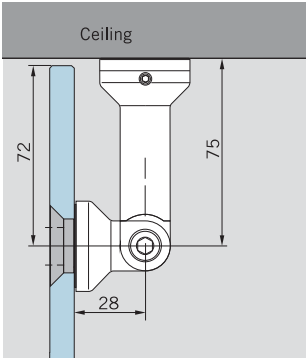
**Corner connectors glass / wall 90 – 180°**



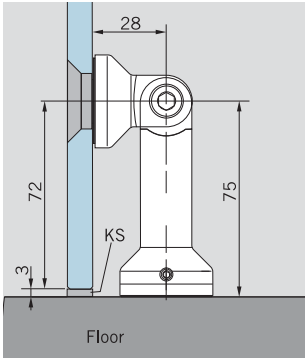
**Glass / wall (dimensions in mm)**

	Length of connecting rod		
	52,5	60	82
Dimensions for 10 mm glass thickness (consider variants for other glass thicknesses).			
Angle	A/B	A/B	A/B
90°	67/65	72/70	87,5/86

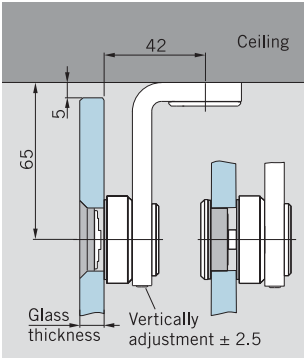
**Corner connector glass / ceiling**



**Corner connector glass / floor**



**Ceiling fixing (bearing)**



**Note:** Ensure compliance with minimum glass/bore clearances as per glass manufacturer recommendations. Glass preparation with a tolerance of max. ± 0.3 mm is recommended.

## MANET CONCEPT

---

**Single-point fixing**

44 – 49



## SINGLE-POINT FIXING SERIES S32/35

---



The basic component within the MANET system is the single-point fixing. Rather than cylindrical bore in the glass, this has a tapered countersunk bore for a perfect seated fit to the glass. These give a flush finish of the single-point fixing in all applications.

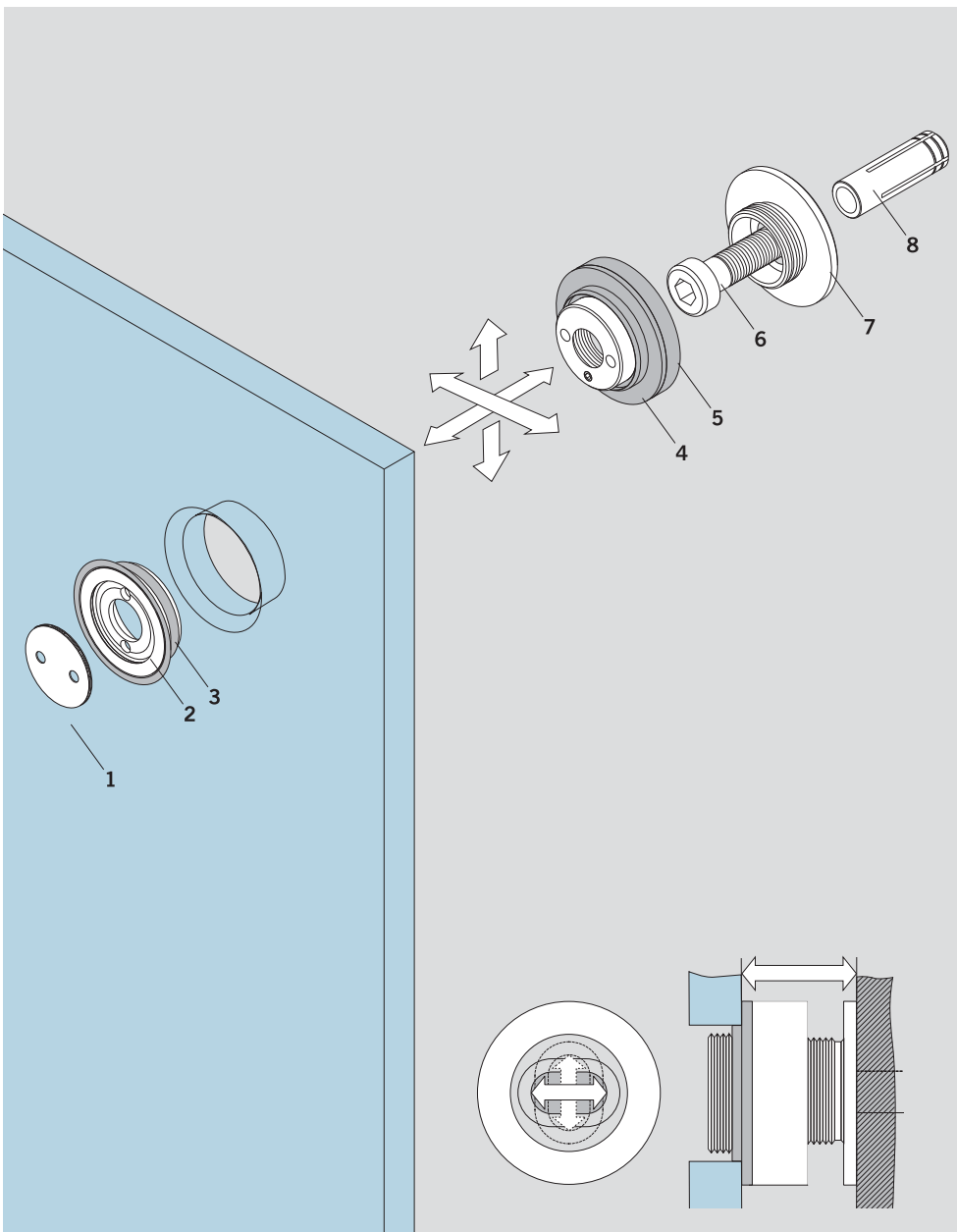
The three-dimensional adjustability incorporated within the fitting ensures ideal compensation for structural and drilling tolerances.

Constraint-free transmission of all the forces acting on the glass to the substructure is also ensured.

### Simple installation and metric adjustment

The fixing and the gasket are wound onto the adjustment screw already fitted to the wall, with the glass panel then being simply mounted over the top. The adjustment screw allows the position of the glass to be adjusted in 3 dimensions.

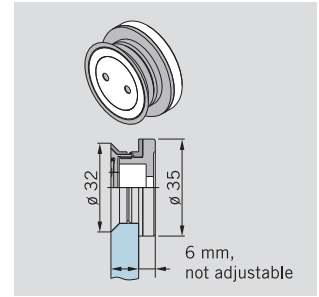
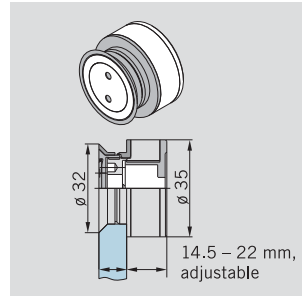
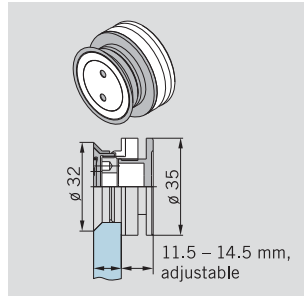
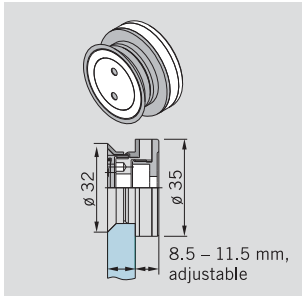
An adjustment range of  $\pm 2$  mm in the vertical and lateral directions can be utilized by rotating the adjustment screw by up to  $90^\circ$ . Then it is simply a matter of aligning and securing the single-point fixing and conical sleeve. The clip-on cover provides for a flush appearance.



### Components

- 1 Clip-on cover
- 2 Pin internal thread
- 3 Conical sleeve
- 4 Gasket
- 5 Fixing
- 6 Threaded rod M8 with small head (eg DIN 6912). Length and type to suit wallplug
- 7 Adjustment screw
- 8 Wallplug on site to suit wall construction

# TYPES



**Single-point fixing, glass / wall**  
wall offset 8.5 – 11.5 mm,  
adjustable

**Single-point fixing, glass / wall**  
wall offset 11.5 – 14.5 mm,  
adjustable

**Single-point fixing, glass / wall**  
wall offset 14.5 – 22 mm,  
adjustable

**Single-point fixing, glass / wall**  
fixed wall offset 6 mm,  
not adjustable

**Countersunk**  
8/10 mm glass  
**Art. No. 29.200**

**Countersunk**  
8/10 mm glass  
**Art. No. 29.201**

**Countersunk**  
8/10 mm glass  
**Art. No. 29.202**

**Countersunk**  
8/10 mm glass  
**Art. No. 29.205**

12 mm glass  
**Art. No. 29.210**

12 mm glass  
**Art. No. 29.211**

12 mm glass  
**Art. No. 29.212**

12 mm glass  
**Art. No. 29.215**

13.5 mm glass  
**Art. No. 29.240**

13.5 mm glass  
**Art. No. 29.241**

13.5 mm glass  
**Art. No. 29.242**

13.5 mm glass  
**Art. No. 29.243**

15 mm glass  
**Art. No. 29.244**

15 mm glass  
**Art. No. 29.245**

15 mm glass  
**Art. No. 29.246**

15 mm glass  
**Art. No. 29.247**

17.5 mm glass  
**Art. No. 29.248**

17.5 mm glass  
**Art. No. 29.249**

17.5 mm glass  
**Art. No. 29.250**

17.5 mm glass  
**Art. No. 29.251**

**Clamping disc**  
8/10 mm glass  
**Art. No. 29.700**

**Clamping disc**  
8/10 mm glass  
**Art. No. 29.701**

**Clamping disc**  
8/10 mm glass  
**Art. No. 29.702**

**Clamping disc**  
8/10 mm glass  
**Art. No. 29.730**

12 mm glass  
**Art. No. 29.705**

12 mm glass  
**Art. No. 29.706**

12 mm glass  
**Art. No. 29.707**

12 mm glass  
**Art. No. 29.731**

13.5 mm glass  
**Art. No. 29.710**

13.5 mm glass  
**Art. No. 29.711**

13.5 mm glass  
**Art. No. 29.712**

13.5 mm glass  
**Art. No. 29.732**

15 mm glass  
**Art. No. 29.715**

15 mm glass  
**Art. No. 29.716**

15 mm glass  
**Art. No. 29.717**

15 mm glass  
**Art. No. 29.733**

17.5 mm glass  
**Art. No. 29.720**

17.5 mm glass  
**Art. No. 29.721**

17.5 mm glass  
**Art. No. 29.722**

17.5 mm glass  
**Art. No. 29.734**

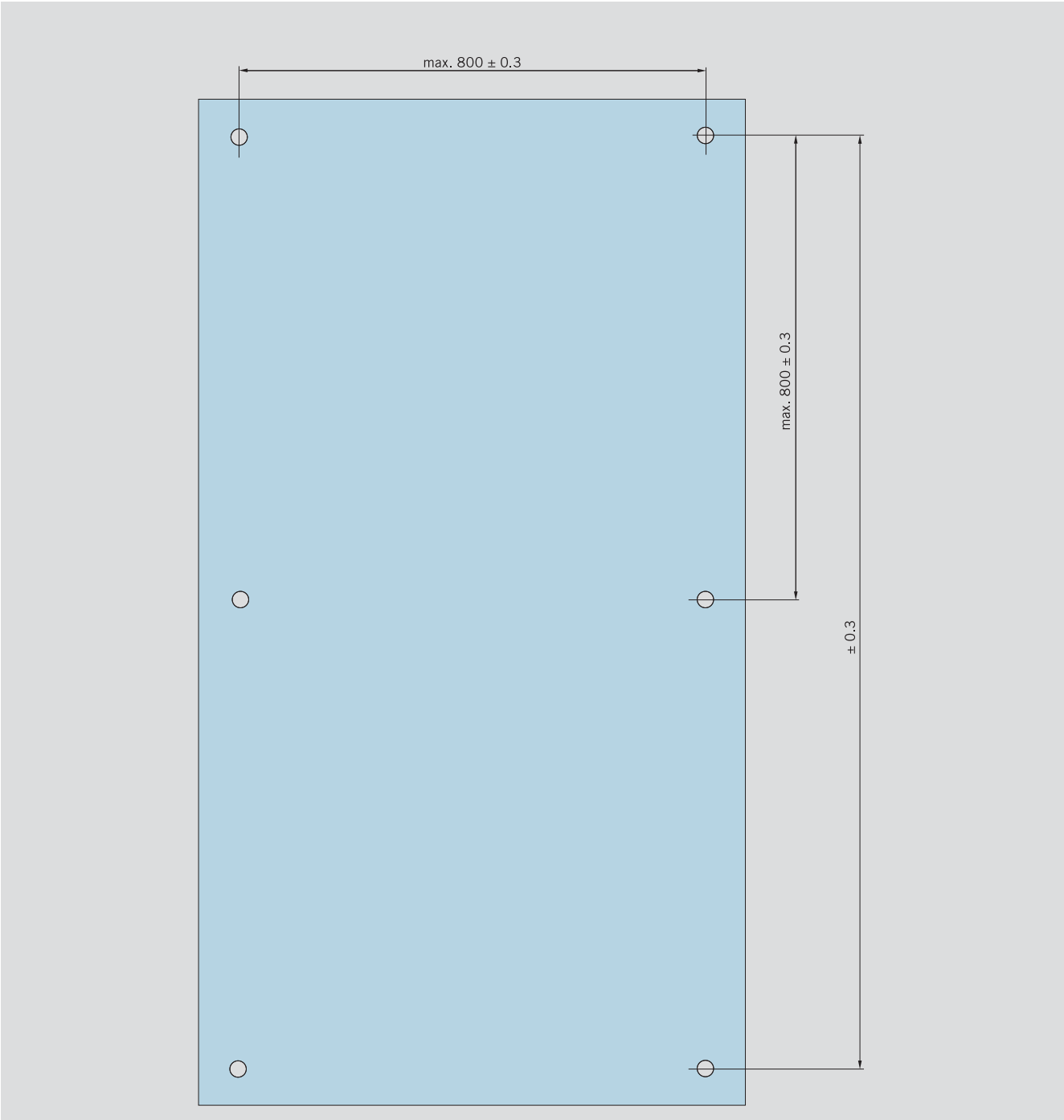
Stainless steel quality AISI 316L on request.



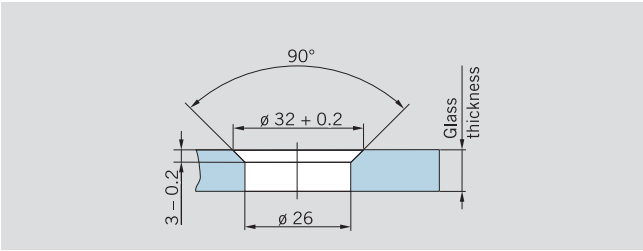
# GLASS PREPARATION CONNECTION SYSTEM

For TSG and LSG from TSG.

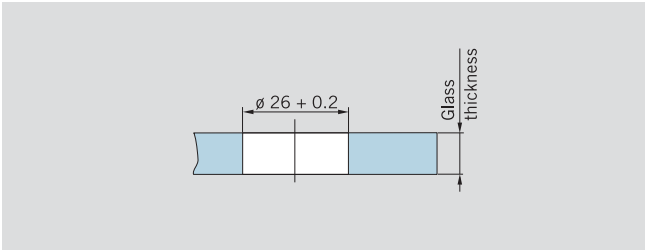
Recommended centres for fixed glazing element



Countersunk bore for countersunk single-point fixings



Cylindrical bore for clamping disc single-point fixings



## MANET COMPACT SETS

---

### **Pivoting doors**

53 – 55

### **Sliding doors**

56 – 61



# MANET COMPACT SETS

The aesthetic elegance of the MANET COMPACT concept is also available in the form of standardised sets for simple, fast planning of the more popular system types. Optional accessories enable the individual sets to be semi-customised. The system components offer numerous adjustment possibilities

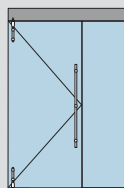
in order to ensure problem-free installation of whichever door type – sliding or swing, single action or double action – is required. Wall abutment profiles may need to be provided (by others) for fixing overpanels and sidelights. (See technical brochure "Fittings and door rails for toughened glass assemblies".)



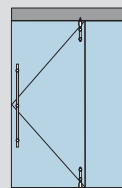
**Pivoting doors  
Set 1  
Page 53**



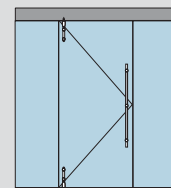
Construction 1 (1 set)



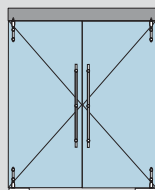
Construction 2 (1 set)



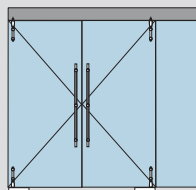
Construction 3 (1 set)



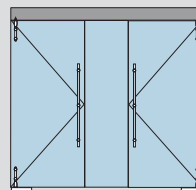
Construction 4 (1 set)



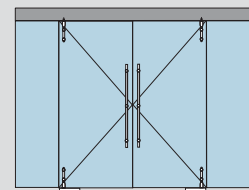
Construction 5 (2 sets)



Construction 6 (2 sets)

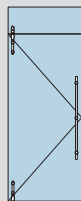


Construction 7 (2 sets)

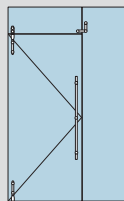


Construction 8 (2 sets)

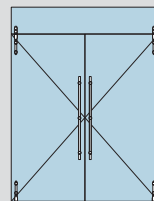
**Pivoting doors  
with overpanel  
Set 2  
Page 54**



Construction 9 (1 set)

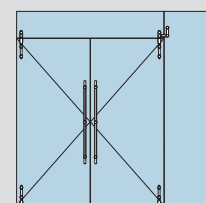


Construction 12 (1 set)



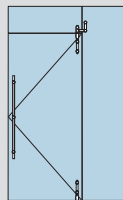
Construction 18 (2 sets)

**Pivoting doors  
Set 2 + 3  
Page 54/55**

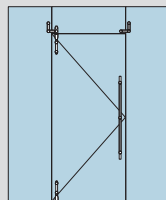


Construction (1 Set each)

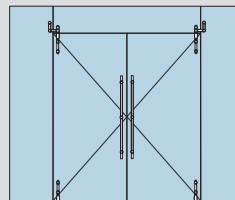
**Pivoting doors  
with overpanel  
and sidelight  
Set 3  
Page 55**



Construction 13 (1 set)

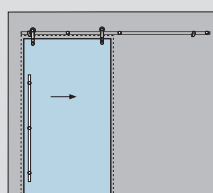


Construction 15 (1 set)

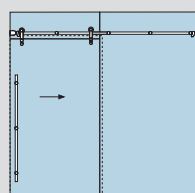


Construction 23 (2 sets)

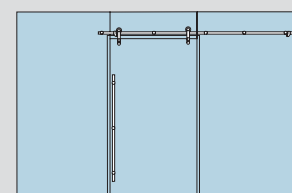
**Sliding doors  
Set 4/5/6  
Page 56 – 61**



Set 4.1/4.2



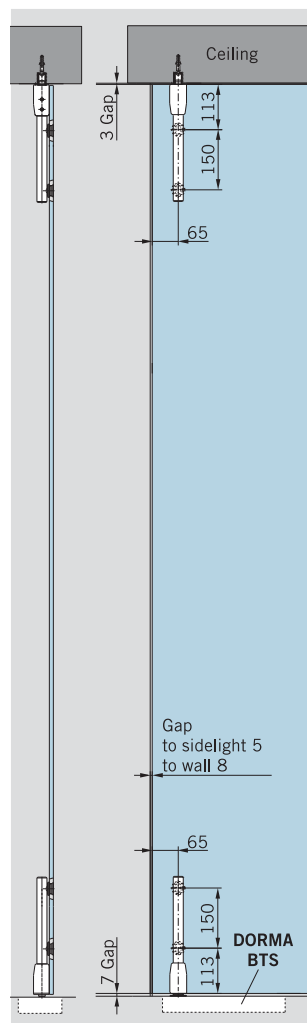
Set 5.1/5.2



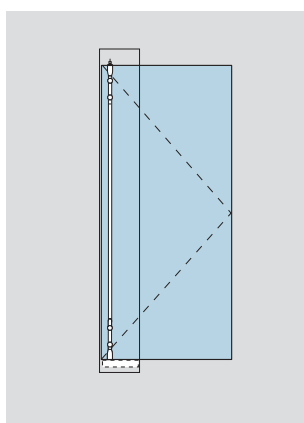
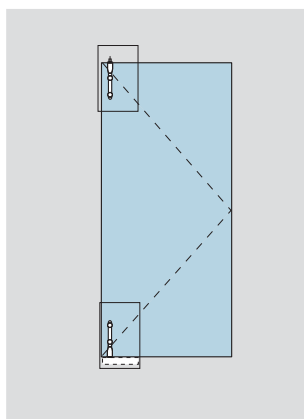
Set 6.1/6.2

# SET 1

## Pivoting door MANET COMPACT without overpanel for 10 – 12 mm glass



Door weight 80 kg  
 Door height max. 2500 mm  
 Door width max. 1200 mm  
 TSG 10/12 mm glass thickness



### Set 1

with pivot rod pair short type

### Set 1

with single-point fixings countersunk

consisting of:

pivot rod pair top/bottom,  
 short type

**Art. No. 29.910**

including:

4 Single-point fixings for pivot rods

1 Pivot fitting top,

1 PT 25 pin, 15 mm Ø, with plug

1 Pivot fitting bottom

for DORMA BTS/floor pivot

### Option:

Set 1, but for

additional intermediate tube in

fixed length for pivot rod pair

**Art. No. 29.911**

Intermediate tube in fixed length

**Art. No. 29.555**

### Please indicate:

Panel height \_\_\_\_\_ mm

– 577 mm

= Length intermediate tube

\_\_\_\_\_ mm

### Accessory options for Set 1

#### Pull handles

Pull handles	Length 350 mm	<b>Art. No. 29.268</b>
(single-point fixing countersunk)	Length 720 mm	<b>Art. No. 29.271</b>
	Length 1240 mm	<b>Art. No. 29.274</b>
	Length 1760 mm	<b>Art. No. 29.277</b>
Pair of pull handles	Length 350 mm	<b>Art. No. 21.267</b>
	Length 720 mm	<b>Art. No. 21.270</b>
	Length 1240 mm	<b>Art. No. 21.273</b>
	Length 1760 mm	<b>Art. No. 21.276</b>

#### Lock

Corner lock	<b>Art. No. 21.448</b>
Corner lock with rose on one lock side	<b>Art. No. 21.449</b>
Profile cylinder for corner lock 21.448/449	<b>Art. No. 14.206</b>
Eccentric bushing for corner lock 21.448/449	<b>Art. No. 05.194</b>

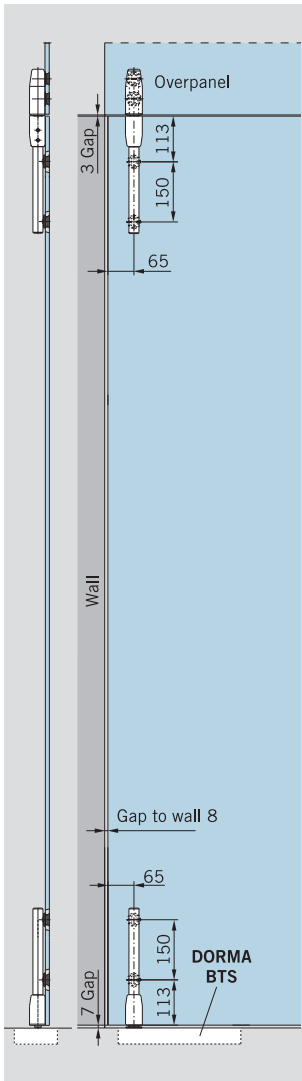
#### Further accessories

Stop for pivoting door with ceiling mounting	<b>Art. No. 21.334</b>
Ceiling fixing (bearing function)	<b>Art. No. 29.337</b>
Floor pivot bearing	<b>Art. No. 01.106</b>
Assembling tool for MANET single-point fixings	<b>Art. No. 21.134</b>

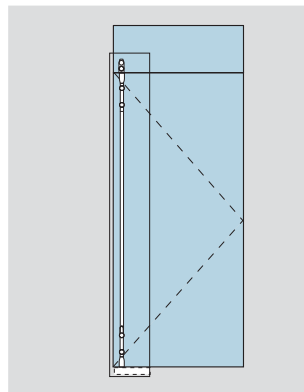
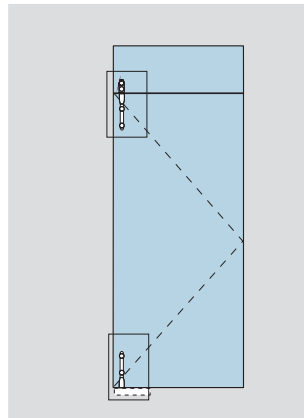
For the requisite glass preparation please see pages 34 – 35

# SET 2

## Pivoting door MANET COMPACT with overpanel for 10 – 12 mm glass



Door weight 80 kg  
 Door height max. 2500 mm  
 Door width max. 1200 mm  
 TSG 10/12 mm glass thickness



**Set 2**  
 with pivot rod pair short type

**Set 2**  
 with single-point fixings countersunk  
 consisting of:  
 pivot rod pair top/bottom,  
 short type **Art. No. 29.912**

including:  
 4 Single-point fixings for pivot rods,  
 1 Pivot fitting top,  
 1 Pivot bearing location for overpanel,  
 1 Pivot fitting bottom  
 for DORMA BTS/floor pivot

**Option:**  
**Set 2**, but with  
 additional intermediate tube in  
 fixed length for pivot rod pair **Art. No. 29.913**  
 Intermediate tube in fixed length **Art. No. 29.555**

**Please indicate:**  
 Panel height \_\_\_\_\_ mm  
 – 577 mm  
 = Length intermediate tube  
 \_\_\_\_\_ mm

### Accessory options for Set 2

#### Pull handles

Pull handles	Length 350 mm	<b>Art. No. 29.268</b>
(single-point fixing countersunk)	Length 720 mm	<b>Art. No. 29.271</b>
	Length 1240 mm	<b>Art. No. 29.274</b>
	Length 1760 mm	<b>Art. No. 29.277</b>
Pair of pull handles	Length 350 mm	<b>Art. No. 21.267</b>
	Length 720 mm	<b>Art. No. 21.270</b>
	Length 1240 mm	<b>Art. No. 21.273</b>
	Length 1760 mm	<b>Art. No. 21.276</b>

Ceiling fixing (bearing function) **Art. No. 29.337**

Stop at overpanel, (inside/outside) for 10 and 12 mm glass **Art. No. 29.335**

#### Lock

Corner lock	<b>Art. No. 21.448</b>
Corner lock with rose on one lock side	<b>Art. No. 21.449</b>
Profile cylinder for corner lock 21.448/449	<b>Art. No. 14.206</b>
Eccentric bushing for corner lock 21.448/449	<b>Art. No. 05.194</b>

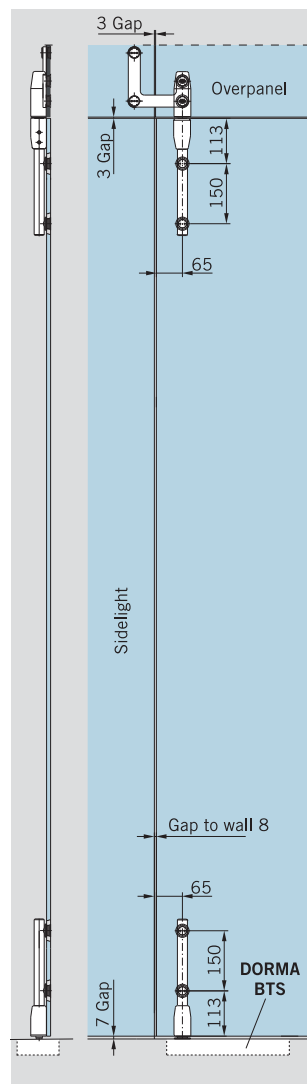
#### Further accessories

Overpanel-sidelight connector for 10 and 12 mm glass	<b>Art. No. 29.320</b>
Overpanel-sidelight connector with stop inside for 10 and 12 mm glass	<b>Art. No. 29.322</b>
Overpanel-sidelight connector with stop outside for 10 and 12 mm glass	<b>Art. No. 29.325</b>
Floor pivot bearing	<b>Art. No. 01.106</b>
Assembling tool for MANET single-point fixings	<b>Art. No. 21.134</b>

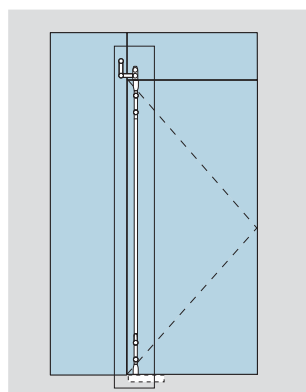
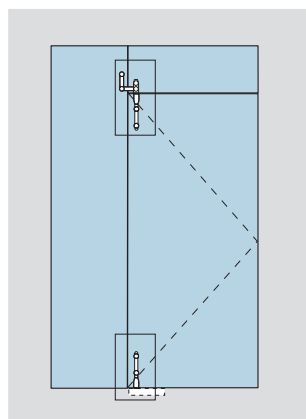
For the requisite glass preparation please see pages 34 – 35

# SET 3

## Pivoting door MANET COMPACT with overpanel for 10 – 12 mm glass



Door weight 80 kg  
 Door height max. 2500 mm  
 Door width max. 1200 mm  
 TSG 10/12 mm glass thickness



**Set 3**  
 with pivot rod pair short type

**Set 3**  
 with single-point fixings countersunk  
 consisting of: pivot rod pair  
 top/bottom, short type **Art. No. 29.914**  
 including:

- 4 Single-point fixings for pivot rods,
- 1 Pivot fitting top,
- 1 Overpanel-sidelight connector  
 with pivot bearing location,
- 1 Pivot fitting bottom  
 for DORMA BTS/floor pivot

**Option:**  
**Set 3**, but with  
 additional intermediate tube in  
 fixed length for pivot rod pair **Art. No. 29.914**  
 Intermediate tube in fixed length **Art. No. 29.555**

**Please indicate:**  
 Panel height \_\_\_\_\_ mm  
 – 577 mm  
 = Length intermediate tube  
 \_\_\_\_\_ mm

### Accessory options for Set 3

#### Pull handles

Pull handles	Length 350 mm	<b>Art. No. 29.268</b>
(single-point fixing countersunk)	Length 720 mm	<b>Art. No. 29.271</b>
	Length 1240 mm	<b>Art. No. 29.274</b>
	Length 1760 mm	<b>Art. No. 29.277</b>
Pair of pull handles	Length 350 mm	<b>Art. No. 21.267</b>
	Length 720 mm	<b>Art. No. 21.270</b>
	Length 1240 mm	<b>Art. No. 21.273</b>
	Length 1760 mm	<b>Art. No. 21.276</b>

Ceiling fixing (bearing function)	<b>Art. No. 29.337</b>
Stop at overpanel, (inside/outside) for 10 and 12 mm glass	<b>Art. No. 29.335</b>

#### Lock

Corner lock	<b>Art. No. 21.448</b>
Corner lock with rose on one lock side	<b>Art. No. 21.449</b>
Profile cylinder for corner lock 21.448/449	<b>Art. No. 14.206</b>
Eccentric bushing for corner lock 21.448/449	<b>Art. No. 05.194</b>

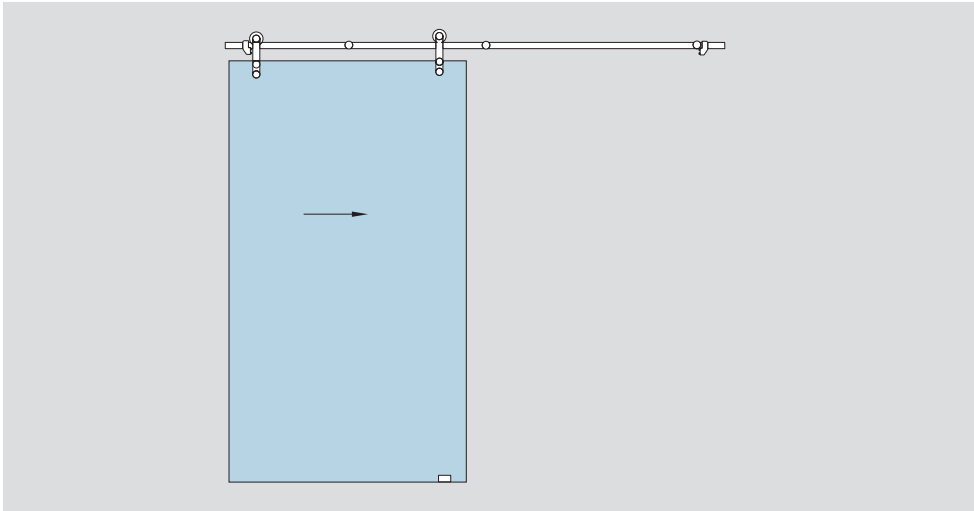
#### Further accessories

Overpanel-sidelight connector for 10 and 12 mm glass	<b>Art. No. 29.320</b>
Overpanel-sidelight connector with stop inside for 10 and 12 mm glass	<b>Art. No. 29.322</b>
Overpanel-sidelight connector with stop outside for 10 and 12 mm glass	<b>Art. No. 29.325</b>
Floor pivot bearing	<b>Art. No. 01.106</b>
Assembling tool for MANET single-point fixings	<b>Art. No. 21.134</b>

For the requisite glass preparation please see pages 34 – 35

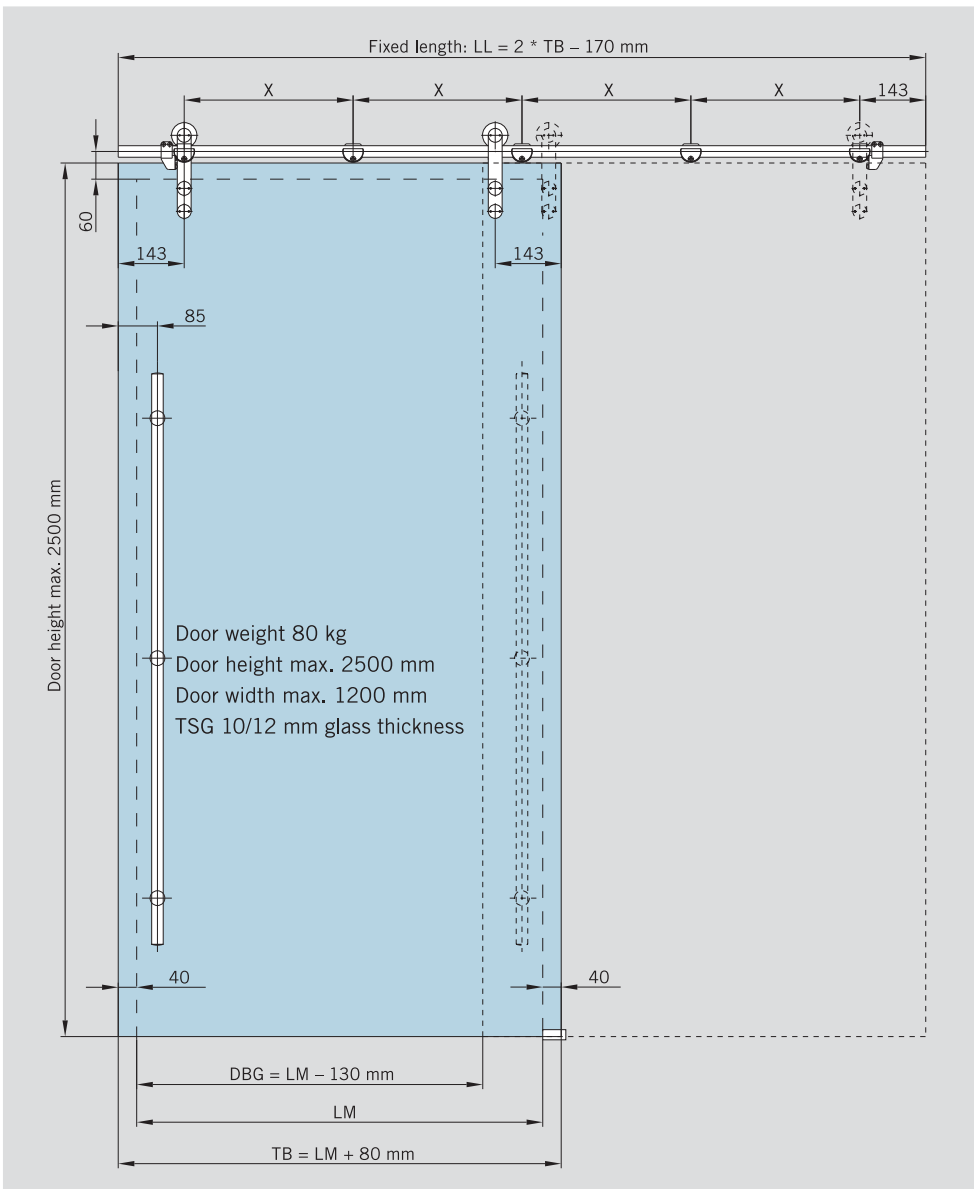
# SET 4.1/4.2

Sliding door MANET COMPACT for installation at wall, for 8 – 12 mm glass



**Set 4.1**  
with single-point fixings  
countersunk

**Set 4.2**  
with clamping disc single-point  
fixings



- LM = Daylight opening
- TB = Door width
- DGB = Entry width
- LL = Tubular track length
- X = Distance of single-point fixings  
 $(LM - 148) * 1/2$

For the requisite glass preparation please see pages 20 – 21



**Sliding door MANET COMPACT for installation at wall, for 8 – 12 mm glass****Set 4.1 / Set 4.2**

consisting of:

5 Clamp fixings for track / wall  
 2 Roller carriers CLASSIC  
 incl. single-point fixings for 8 – 12 mm glass  
 1 Door stop left hand  
 1 Door stop right hand  
 1 Floor guide AGILE  
 Installation tools

**Set 4.1**  
**with single-point fixings**  
**countersunk**

**Art. No. 29.916**

**Set 4.2**  
**with clamping disc single-point**  
**fixings**

**Art. No. 29.917****Set as above,**

but with 16 mm extended clamp fixing

**Art. No. 29.925****Art. No. 29.926****Not covered by the set:**

Tubular track inclusive end cups in fixed length\*

**Art. No. 21.436****Art. No. 21.436**Tubular track, inclusive end cups,  
stock length 3000 mm**Art. No. 21.527****Art. No. 21.527****Accessory options for Set 4.1 / Set 4.2****Pull handles / Recessed pull grip**

Pull handles	Length 350 mm	<b>Art. No. 29.268</b>	<b>Art. No. 21.240</b>
	Length 720 mm	<b>Art. No. 29.271</b>	<b>Art. No. 21.241</b>
	Length 1240 mm	<b>Art. No. 29.274</b>	<b>Art. No. 21.242</b>
	Length 1760 mm	<b>Art. No. 29.277</b>	<b>Art. No. 21.243</b>
Pair of pull handles	Length 350 mm	<b>Art. No. 21.267</b>	
	Length 720 mm	<b>Art. No. 21.270</b>	
	Length 1240 mm	<b>Art. No. 21.273</b>	
	Length 1760 mm	<b>Art. No. 21.276</b>	
Recessed pull grip Ø 60 mm	for 8/10/12 mm glass	<b>Art. No. 21.291</b>	
Recessed pull grip with grip hole Ø 60 mm	for 8 mm glass	<b>Art. No. 21.292</b>	
	for 10 mm glass	<b>Art. No. 21.293</b>	
	for 12 mm glass	<b>Art. No. 21.294</b>	
Door knob back-to-back	for 8 – 12 mm glass	<b>Art. No. 21.423</b>	
Door knob one side fixing	for 8 – 12 mm glass	<b>Art. No. 21.422</b>	<b>Art. No. 21.426</b>

**Corner lock**

Corner lock	<b>Art. No. 21.448</b>		
Corner lock with rose on one lock side	<b>Art. No. 29.449</b>		
Profile cylinder for corner lock 21.448/449	<b>Art. No. 14.206</b>		
Eccentric bushing for corner lock 21.448/449	<b>Art. No. 05.194</b>		

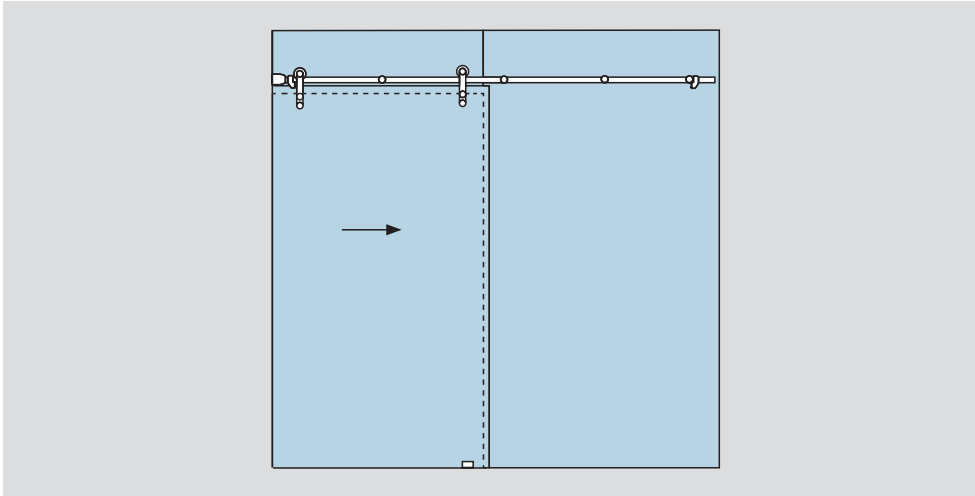
**Further accessories**

Aluminium guide rail with brush seals	stock length 3000 mm	<b>Art. No. 21.432</b>	
	stock length 6000 mm	<b>Art. No. 21.430</b>	
	Assembling tool for MANET single-point fixing	<b>Art. No. 21.134</b>	

\* When ordering please indicate the necessary length! For calculation please see adjoining page

# SET 5.1/5.2

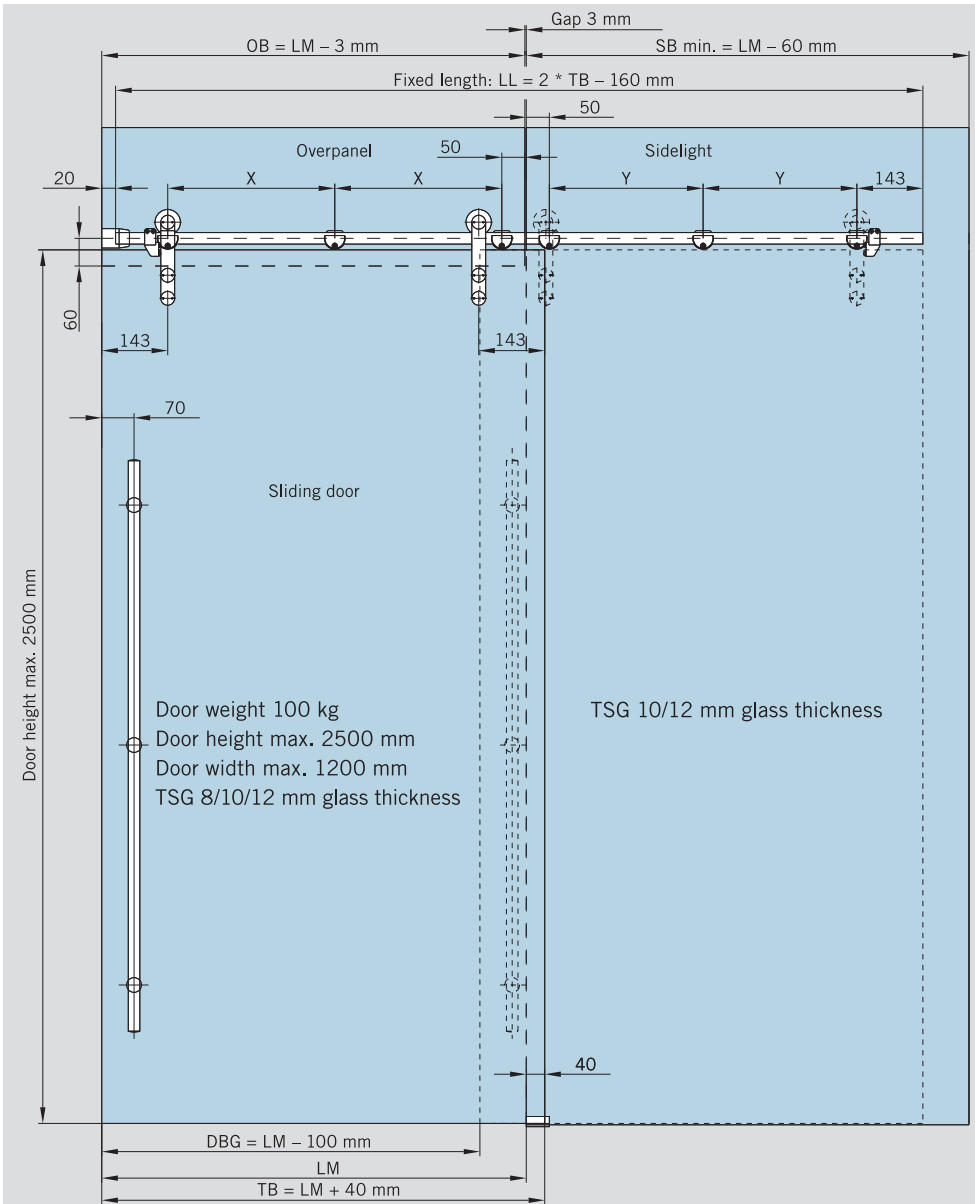
Sliding door MANET COMPACT for installation at glass, one side attached to masonry,



for sliding door 8 – 12 mm glass,  
fixed element 10 – 12 mm glass

**Set 5.1**  
with countersunk single-point  
fixings

**Set 5.2**  
with clamping disc single-point  
fixing



- LM = Daylight opening
- TB = Door width
- DGB = Entry width
- SBmin. = min. Seitenteilbreite
- LL = Tubular track length
- X = Centre distance between single-point fixings overpanel  $(OB - 193) * 1/2$
- Y = Centre distance between single-point fixings sidelight  $Y = X - 29$
- OB = Overpanel width

For the requisite glass preparation please see pages 20 – 21

**Sliding door MANET COMPACT for installation at glass, one side attached to masonry,  
for sliding door 8 – 12 mm glass,  
fixed element 10 – 12 mm glass**

**Set 5.1 / Set 5.2**

consisting of:

- 6 Clamp fixings  
fixing at glass
- 2 Roller carriers CLASSIC  
incl. single-point fixings for 8 – 12 mm glass
- 1 Wall fixing
- 1 Door stop left hand
- 1 Door stop right hand
- 1 Floor guide AGILE
- Installation tools

**Set 5.1  
with single-point fixings  
countersunk**

**Art. No. 29.918**

**Set 5.2  
with clamping disc single-point  
fixings**

**Art. No. 29.919**

**Not covered by the set:**

Tubular track inclusive end cups fixed length\*

**Art. No. 21.436**

Tubular track inclusive end cups,  
stock length 3000 mm

**Art. No. 21.527**

**Accessory options for Set 5.1 / Set 5.2**

**Pull handles / Recessed pull grip**

Pull handles	Length 350 mm	<b>Art. No. 29.268</b>	<b>Art. No. 21.240</b>
	Length 720 mm	<b>Art. No. 29.271</b>	<b>Art. No. 21.241</b>
	Length 1240 mm	<b>Art. No. 29.274</b>	<b>Art. No. 21.242</b>
	Length 1760 mm	<b>Art. No. 29.277</b>	<b>Art. No. 21.243</b>
Pair of pull handles	Length 350 mm	<b>Art. No. 21.267</b>	
	Length 720 mm	<b>Art. No. 21.270</b>	
	Length 1240 mm	<b>Art. No. 21.273</b>	
	Length 1760 mm	<b>Art. No. 21.276</b>	
Recessed pull grip Ø 60 mm	for 8/10/12 mm glass	<b>Art. No. 21.291</b>	
Recessed pull grip with grip hole Ø 60 mm	for 8 mm glass	<b>Art. No. 21.292</b>	
	for 10 mm glass	<b>Art. No. 21.293</b>	
	for 12 mm glass	<b>Art. No. 21.294</b>	
Door knob back-to-back	for 8 – 12 mm glass	<b>Art. No. 21.423</b>	
Door knob one side fixing	for 8 – 12 mm glass	<b>Art. No. 21.422</b>	<b>Art. No. 21.426</b>

**Corner lock**

Corner lock	<b>Art. No. 21.448</b>		
Corner lock with rose on one lock side	<b>Art. No. 29.449</b>		
Profile cylinder for corner lock 21.448/449	<b>Art. No. 14.206</b>		
Eccentric bushing for corner lock 21.448/449	<b>Art. No. 05.194</b>		

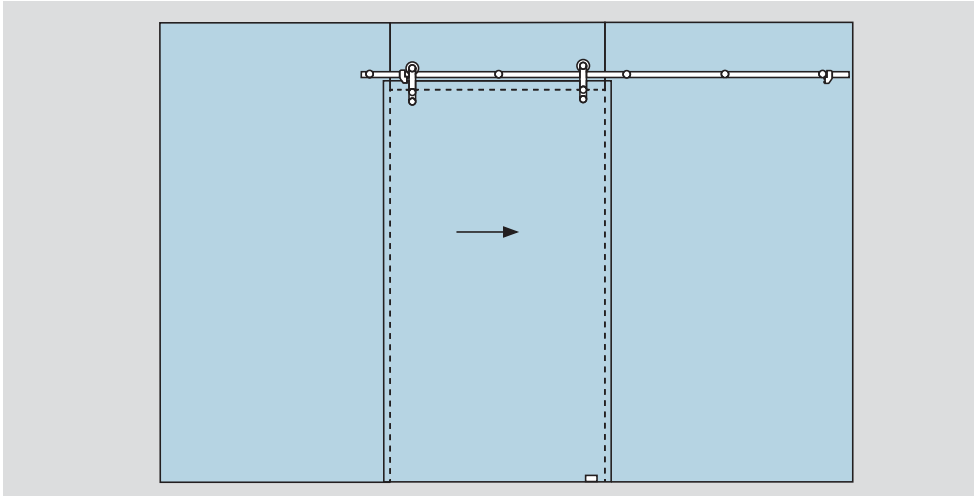
**Further accessories**

Aluminium guide rail with brush seals	stock length 3000 mm	<b>Art. No. 21.432</b>	
	stock length 6000 mm	<b>Art. No. 21.430</b>	
	Ceiling connector (bearing function)	<b>Art. No. 29.337</b>	<b>Art. No. 29.338</b>
Assembling tool for MANET single-point fixing	<b>Art. No. 21.134</b>		

\* When ordering please indicate the necessary length! For calculation please see adjoining page

# SET 6.1/6.2

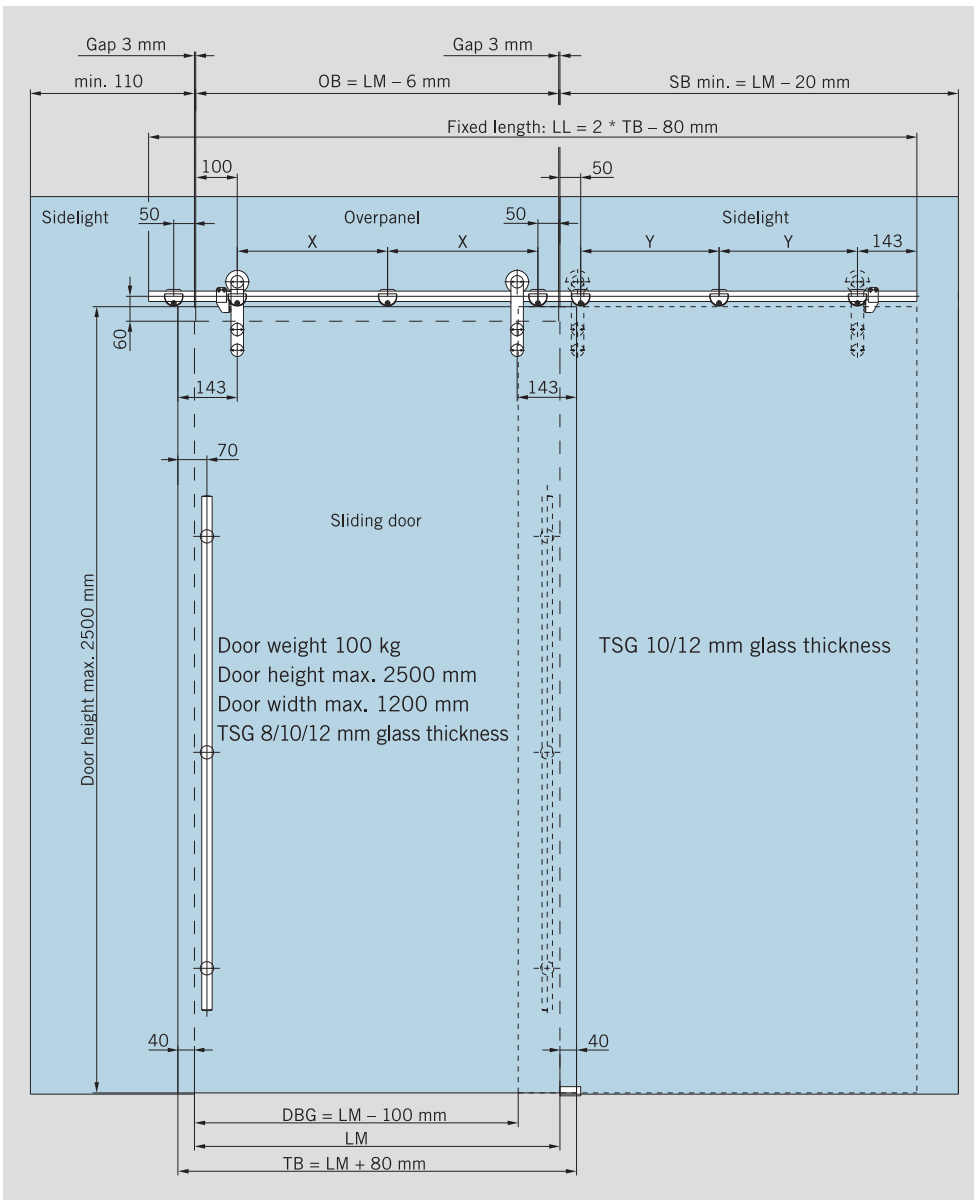
Sliding door MANET COMPACT for installation at glass, sidelights on both sides,



for sliding door 8 – 12 mm glass,  
fixed element 10 – 12 mm glass

**Set 6.1**  
with countersunk single-point  
fixings

**Set 6.2**  
with clamping disc single-point  
fixing



- LM = Daylight opening
- TB = Door width
- DGB = Entry width
- OB = Overpanel width
- SBmin. = min. Seitenteilbreite
- LL = Tubular track length
- X = Centre distance between single-point fixings overpanel  $(OB - 150) * 1/2$
- Y = Centre distance between single-point fixings sidelight  $Y = X - 29$

For the requisite glass preparation please see pages 20 – 21

**Sliding door MANET COMPACT for installation at glass, sidelight on both sides,  
for sliding door 8 – 12 mm glass,  
fixed elements 10 – 12 mm glass**

**Set 6.1 / Set 6.2**

consisting of:

- 7 Clamp fixings  
fixing at glass
- 2 Roller carriers CLASSIC  
incl. single-point fixings for 8 – 12 mm glass
- 1 Door stop left hand
- 1 Door stop right hand
- 1 Floor guide AGILE
- Installation tools

**Set 6.1  
with single-point fixings  
countersunk**

**Art. No. 29.920**

**Set 6.2  
with clamping disc single-point  
fixings**

**Art. No. 29.921****Not covered by the set:**

Tubular track inclusive end cups fixed length\*

**Art. No. 21.436**Tubular track inclusive end cups,  
stock length 3000 mm**Art. No. 21.527****Accessory options for Set 6.1 / Set 6.2****Pull handles / Recessed pull grip**

Pull handles	Length 350 mm	<b>Art. No. 29.268</b>	<b>Art. No. 21.240</b>
	Length 720 mm	<b>Art. No. 29.271</b>	<b>Art. No. 21.241</b>
	Length 1240 mm	<b>Art. No. 29.274</b>	<b>Art. No. 21.242</b>
	Length 1760 mm	<b>Art. No. 29.277</b>	<b>Art. No. 21.243</b>
Pair of pull handles	Length 350 mm	<b>Art. No. 21.267</b>	
	Length 720 mm	<b>Art. No. 21.270</b>	
	Length 1240 mm	<b>Art. No. 21.273</b>	
	Length 1760 mm	<b>Art. No. 21.276</b>	
Recessed pull grip Ø 60 mm	for 8/10/12 mm glass	<b>Art. No. 21.291</b>	
Recessed pull grip with grip hole Ø 60 mm	for 8 mm glass	<b>Art. No. 21.292</b>	
	for 10 mm glass	<b>Art. No. 21.293</b>	
	for 12 mm glass	<b>Art. No. 21.294</b>	
Door knob back-to-back	for 8 – 12 mm glass	<b>Art. No. 21.423</b>	
Door knob one side fixing	for 8 – 12 mm glass	<b>Art. No. 21.422</b>	<b>Art. No. 21.426</b>

**Corner lock**

Corner lock	<b>Art. No. 21.448</b>		
Corner lock with rose on one lock side	<b>Art. No. 29.449</b>		
Profile cylinder for corner lock 21.448/449	<b>Art. No. 14.206</b>		
Eccentric bushing for corner lock 21.448/449	<b>Art. No. 05.194</b>		

**Further accessories**

Aluminium guide rail with brush seals	stock length 3000 mm	<b>Art. No. 21.432</b>	
	stock length 6000 mm	<b>Art. No. 21.430</b>	
	Ceiling connector (bearing function)	<b>Art. No. 29.337</b>	<b>Art. No. 29.338</b>
Assembling tool for MANET single-point fixing	<b>Art. No. 21.134</b>		

\* When ordering please indicate the necessary length! For calculation please see adjoining page



## PULL HANDLES AND RECESSED PULL GRIP PROGRAM

---

**Accessories**  
62 – 71



## PULL HANDLES, DOOR KNOBS AND RECESSED PULL GRIP

---

The pull handle/knob system is designed for glass of 8, 10 and 12 mm thickness.

The pull handles can be fixed to both sliding and pivoting (swing) doors on one face using the appropriate connectors or on both faces by through-bolting (back-to-back arrangement).

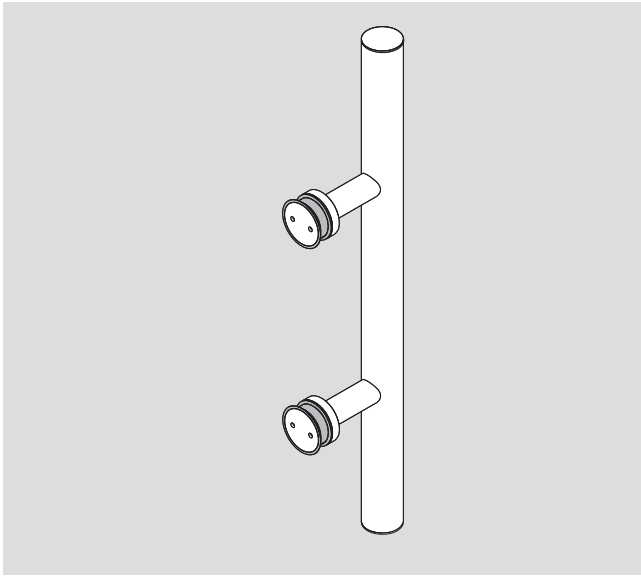
The single-point fixings and through bolts are included as standard equipment in the scope of supply.

The pull handles can be fitted horizontally, vertically or in a handrail arrangement.



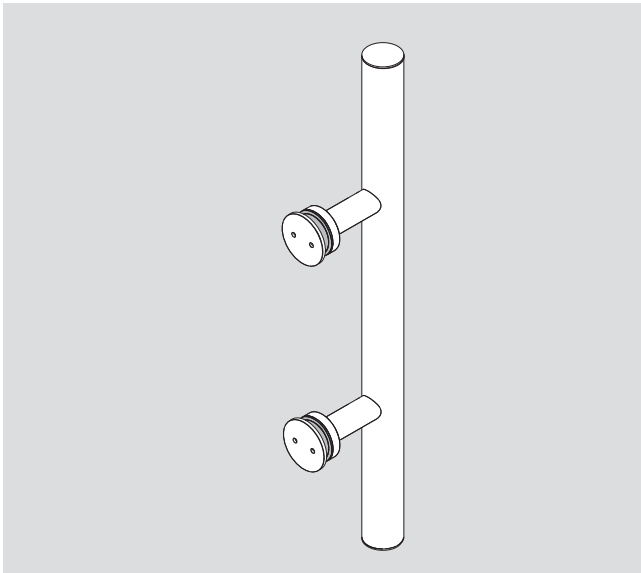


# PULL HANDLES SINGLE



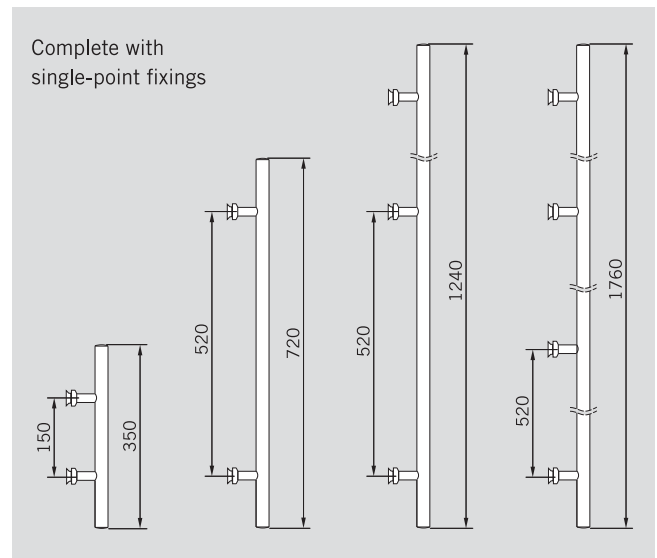
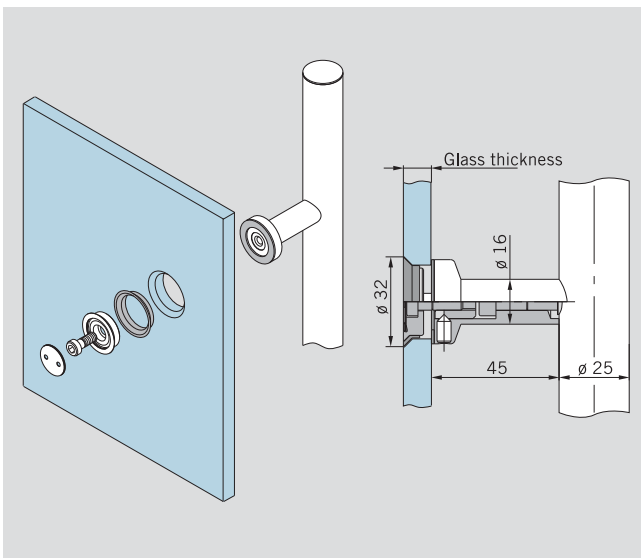
**Pull handles with single-point fixings, countersunk for 8/10/12 mm glass**

- Pull handle 350 mm with 2 fixings **Art. No. 29.268**
- AISI 316L **Art. No. 29.269**
- Pull handle 720 mm with 2 fixings **Art. No. 29.271**
- AISI 316L **Art. No. 29.272**
- Pull handle 1240 mm with 3 fixings **Art. No. 29.274**
- AISI 316L **Art. No. 29.275**
- Pull handle 1760 mm with 4 fixings **Art. No. 29.277**
- AISI 316L **Art. No. 29.278**

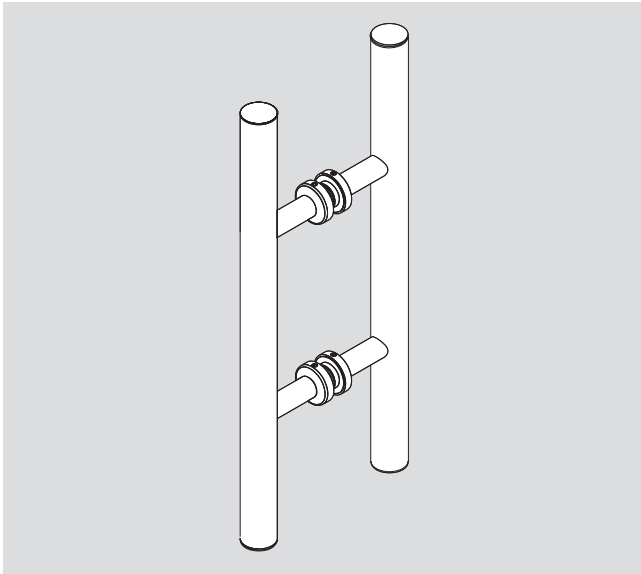


**Pull handles with single-point fixings, clamping disc for 8/10/12 mm glass**

- Pull handle 350 mm with 2 fixings **Art. No. 21.240**
- Pull handle 720 mm with 2 fixings **Art. No. 21.241**
- AISI 316L **Art. No. 21.281**
- Pull handle 1240 mm with 3 fixings **Art. No. 21.242**
- Pull handle 1760 mm with 4 fixings **Art. No. 21.243**
- AISI 316L **Art. No. 21.283**



## PAIR OF PULL HANDLES



**Pair of pull handles  
incl. connecting bolt**  
for 8/10/12 mm glass

Pair of pull handles 350 mm  
with 2 fixings

**Art. No. 21.267**

AISI 316L

**Art. No. 21.247**

Pair of pull handles 720 mm  
with 2 fixings

**Art. No. 21.270**

AISI 316L

**Art. No. 21.250**

Pair of pull handles 1240 mm  
with 3 fixings

**Art. No. 21.273**

AISI 316L

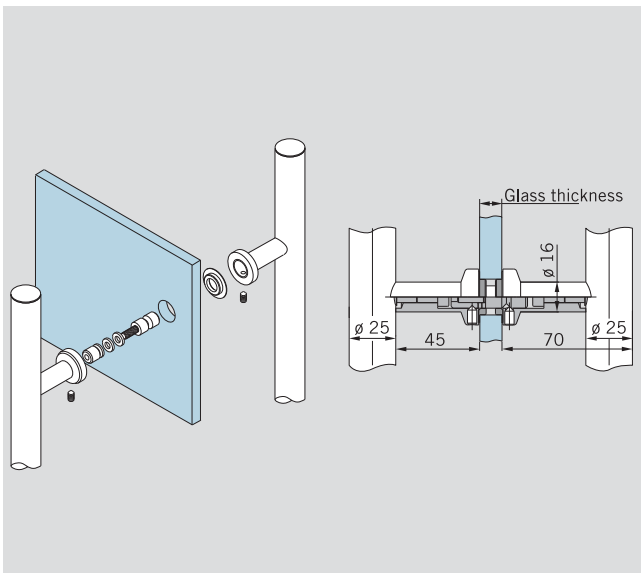
**Art. No. 21.253**

Pair of pull handles 1760 mm  
with 4 fixings

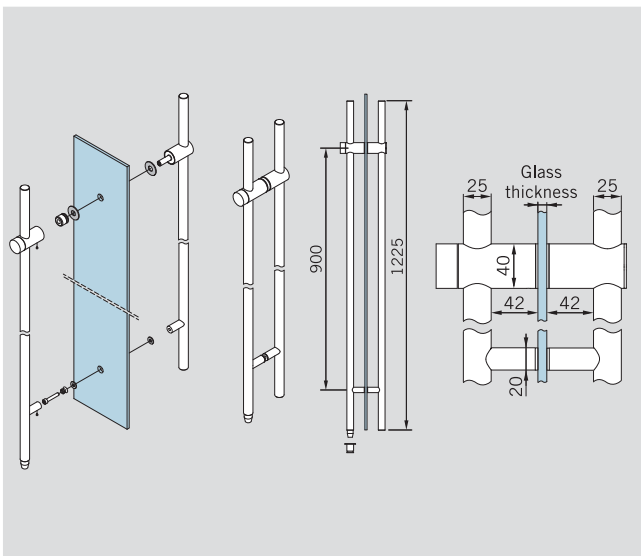
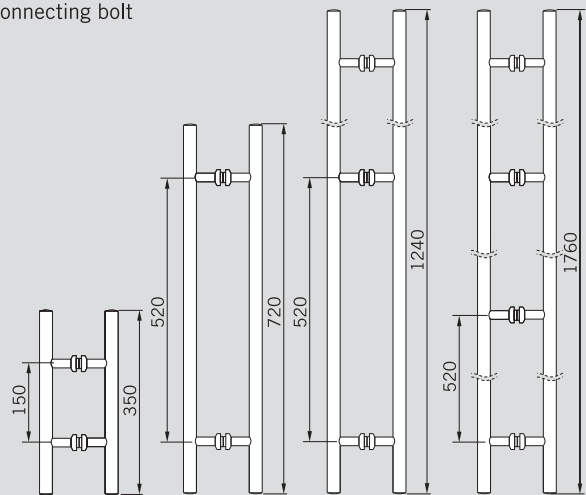
**Art. No. 21.276**

AISI 316L

**Art. No. 21.256**



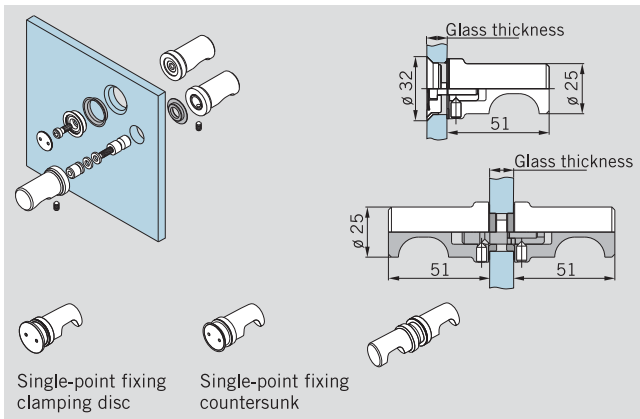
Complete incl.  
connecting bolt



**Lockable back-to-back  
handle bar,**  
for 6 – 16 mm glass  
1225 mm,  
with 2 fixings,  
complete with closing device  
and cylinder

**Art. No. 21.279**

## DOOR KNOBS



### Door knob one side fixing

for 8/10/12 mm glass

Door knob with single-point fixing, countersunk

**Art. No. 21.422**

Door knob with single-point fixings, clamping disc

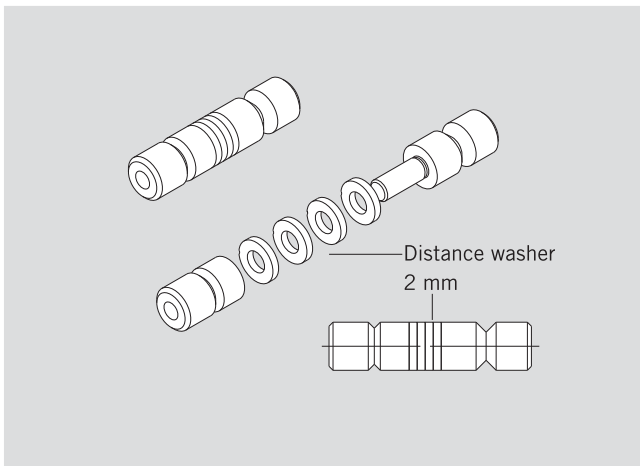
**Art. No. 21.426**

### Door knob back-to-back

for 8/10/12 mm glass

**Art. No. 21.423**

## SPACING ADJUSTMENT FOR PULL HANDLES AND DOOR KNOBS



### Conversion set 1 for glass doors,

pair of pull handles/  
knob back-to-back

door thickness 13.5 – 21.5 mm

**Art. No. 21.285**

### Glass doors

Door thickness 13.5 mm:

without distance washer

Door thickness 15 mm:

with 1 distance washer

Door thickness 17.5 mm:

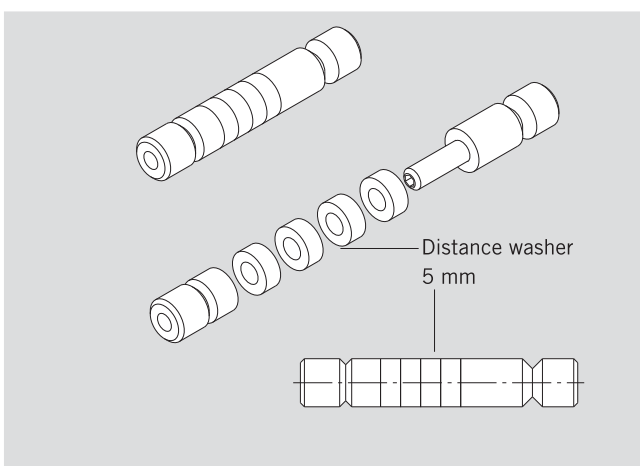
with 2 distance washer

Door thickness 19 mm:

with 3 distance washer

Door thickness 21.5 mm:

with 4 distance washer



### Conversion set 2 for timber doors,

pair of pull handles /  
knob back-to-back

door thickness 20 – 40 mm

**Art. No. 21.286**

### Timber doors

Door thickness 20 mm:

without distance washer

Door thickness 25 mm:

with 1 distance washer

Door thickness 30 mm:

with 2 distance washer

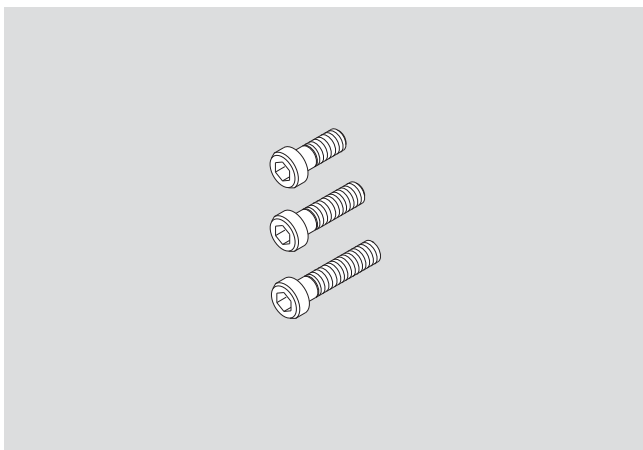
Door thickness 35 mm:

with 3 distance washer

Door thickness 40 mm:

with 4 distance washer

## SPACING ADJUSTMENT FOR PULL HANDLES AND DOOR KNOBS

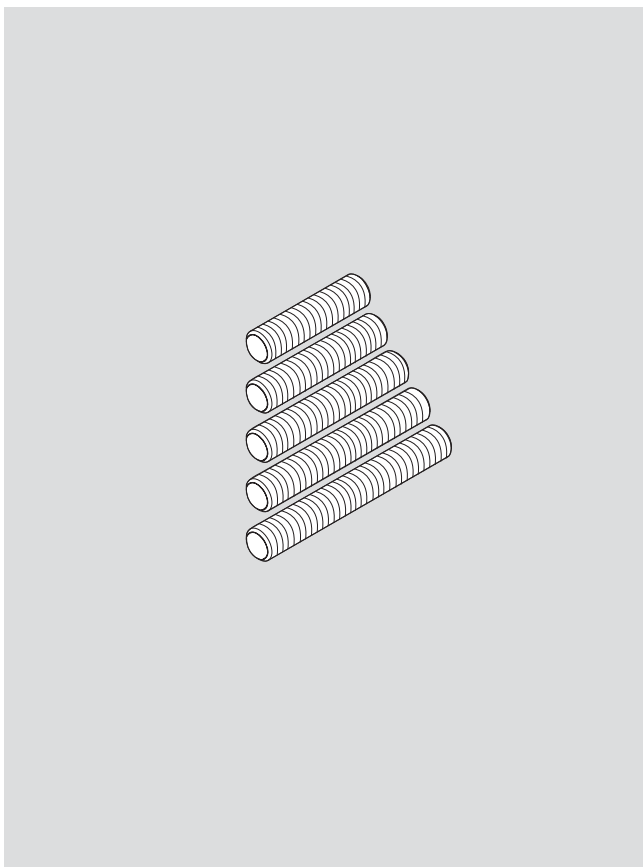


**Conversion set 3**  
**for glass / timber doors,**  
 pull handle / knob single-sided,  
 single-point fixing  
 door thickness 15 – 40 mm  
 countersunk  
 clamping disc

**Art. No. 21.287**

**Art. No. 21.288**

**Glass doors / timber doors**  
 Door thickness 15 – 21,5 mm:  
 Cylinder head screw M6x25  
 Door thickness 25 – 30 mm:  
 Cylinder head screw M6x35  
 Door thickness 35 – 40 mm:  
 Cylinder head screw M6x50



**Conversion set 4**  
**Recessed pull grip**  
 for glass doors

**Art. No. 21.295**

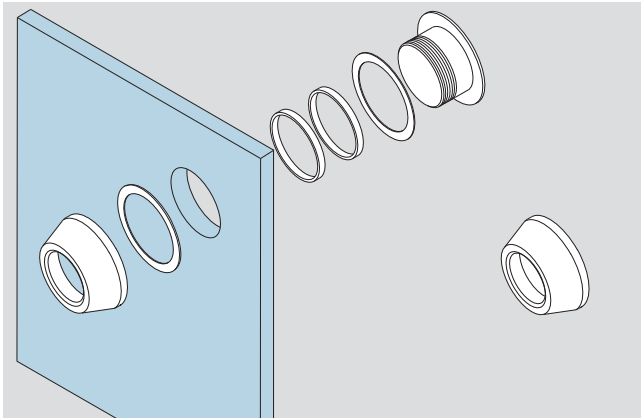
for timber doors

**Art. No. 21.296**

**Glass doors**  
 Door thickness 13,5 mm:  
 Grub screw 20 mm  
 Door thickness 15 mm:  
 Grub screw 22 mm  
 Door thickness 17,5 mm:  
 Grub screw 24 mm  
 Door thickness 19 mm:  
 Grub screw 25 mm  
 Door thickness 21,5 mm:  
 Grub screw 28 mm

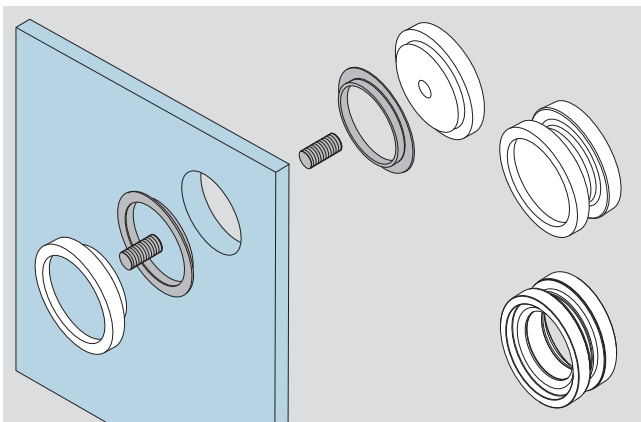
**Timber doors**  
 Door thickness 20 mm:  
 Grub screw 24 mm  
 Door thickness 25 mm:  
 Grub screw 28 mm  
 Door thickness 30 mm:  
 Grub screw 33 mm  
 Door thickness 35 mm:  
 Grub screw 38 mm  
 Door thickness 40 mm:  
 Grub screw 43 mm

## RECESSED PULL GRIP AND ARCOS PULL HANDLE



**Recessed pull grip**  
 Ø 50 mm  
 for 8/10/12 mm glass

**Art. No. 21.290**



**Recessed pull grip**  
 Ø 60 mm  
 for 8/10/12 mm glass

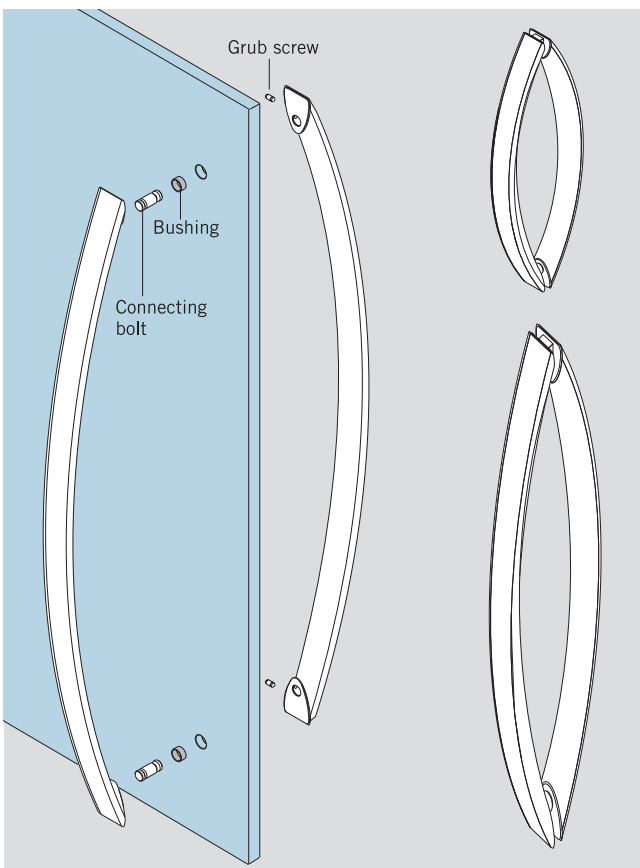
**Art. No. 21.291**

**Recessed pull grip with grip hole**  
 Ø 60 mm  
 for 8 mm glass  
 for 10 mm glass  
 for 12 mm glass

**Art. No. 21.292**

**Art. No. 21.293**

**Art. No. 21.294**



**ARCOS pair of pull handle**  
 for 8/10/12 mm glass  
 incl. connecting bolt

only in AISI 316L

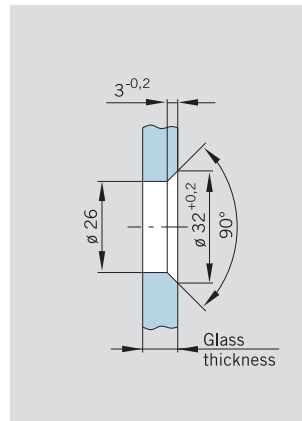
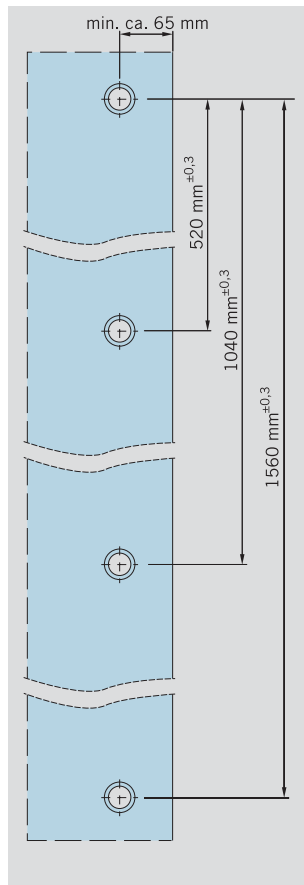
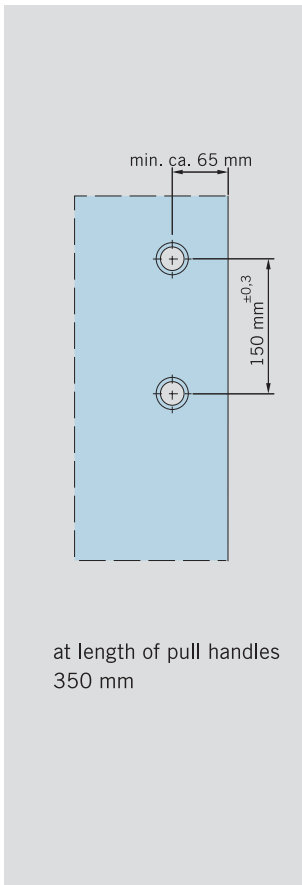
Pull handle 350 mm  
 with 2 fixings

**Art. No. 26.500**

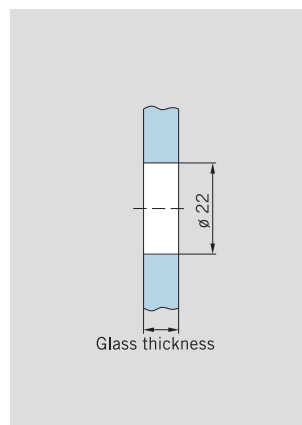
Pull handle 750 mm  
 with 2 fixings

**Art. No. 26.510**

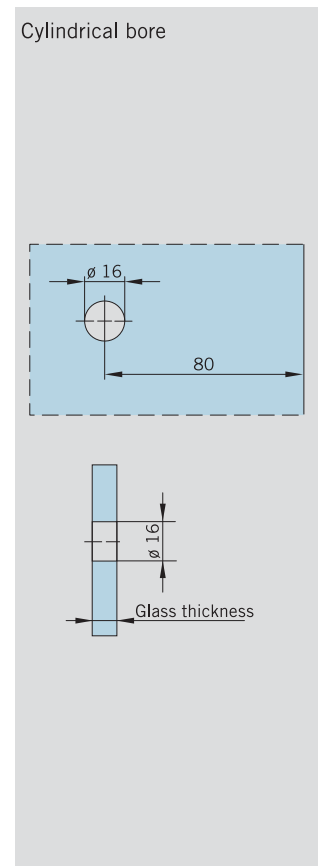
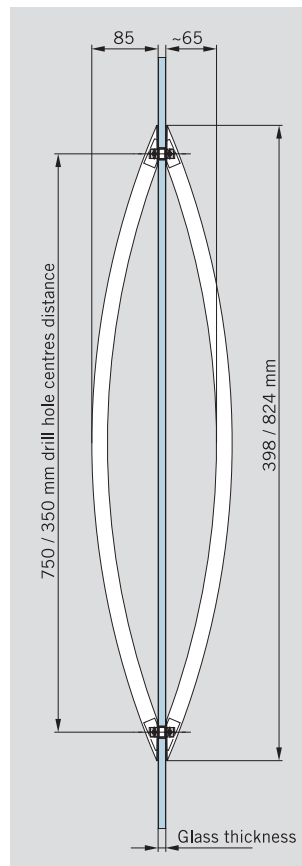
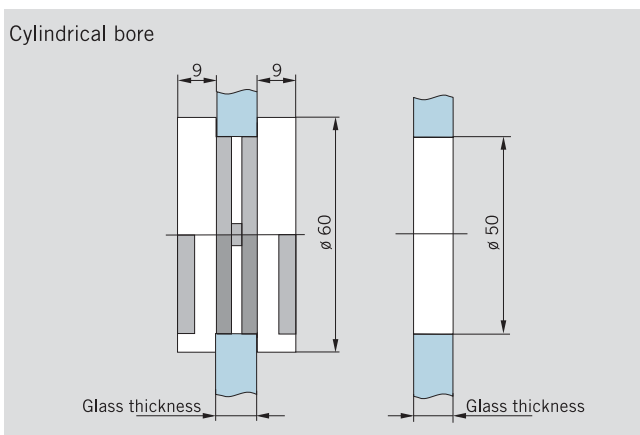
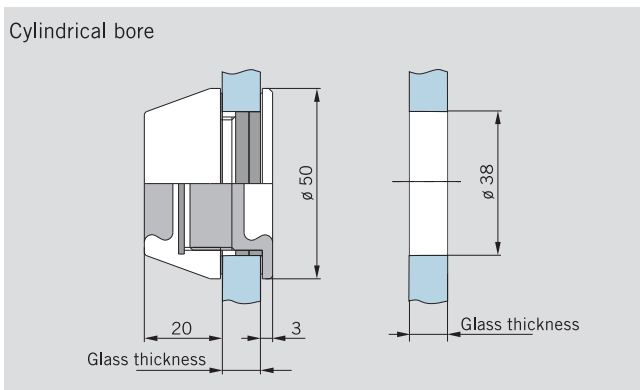
# GLASS PREPARATION FOR PULL HANDLES AND DOOR KNOBS



Countersunk bore  
on pull handle and door knob,  
one side fixing

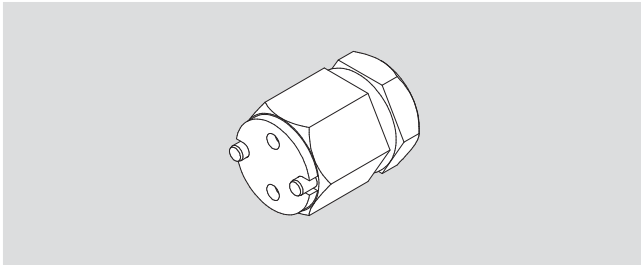


Cylindrical bore  
on pair of pull handles  
and door knobs,  
back-to-back



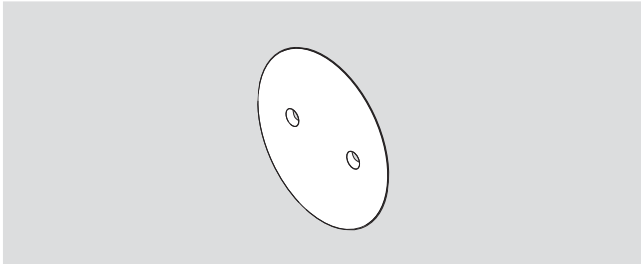
## ACCESSORIES / INSTALLATION TOOLS

---



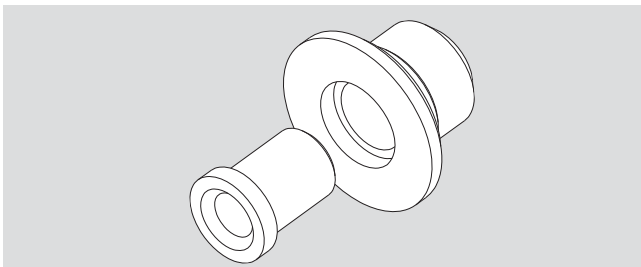
**Assembling tool for  
MANET Single-point fixing**

**Art. No. 21.134**



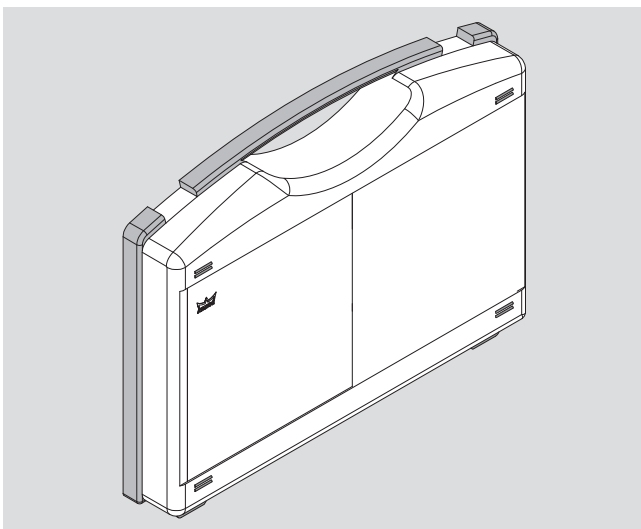
**Clip-on cover for  
single-point fixing  
with spring,**  
5 pieces

**Art. No. 29.217**



**Assembling tool for  
MANET single-point fixing**  
(can also be used as attachment  
for torque wrench)

**Art. No. 21.137**



**Sample case**

**Art. No. 21.995**

## PLANNING TOOLS

---



For planning of intelligent glass solutions we offer you several planning tools which allow you to create secure and professional solutions for any kinds of glass doors and toughend glass assemblies.

The **planning tools MANET COMPACT** enable you to prepare designs quickly, reliably and professionally. The software provides you with all necessary documentation such as dimensioned technical drawings, glass sizes and preparation measures.

Your benefits:

- Easy to operate
- Professional and error-free preparation of offers
- Rapid response to incoming requests for quotations
- Highly reduced planning costs for time and money savings

## SAFETY-RELATED INFORMATION

---

### Important safety-related information for the mounting and use of DORMA glass fittings

(Follow these instructions in addition to the mounting and operating instructions in order to avoid damage of product and damage to person or property.)

**Important:** All users have to be informed about relevant points mentioned in these safety-related information and the mounting and operating instructions!

#### General information

1. DORMA recommends using TSG-H (heat soaked toughened safety glass) to DIN EN 12150-1.
2. DORMA glass fittings are not suitable for application in rooms where chemicals (e. g. chlorine) are used such as indoor swimming pools, saunas or salt-water pools.
3. Never move sliding panels faster than walking speed and always stop the door manually before it reaches end position.
4. Do not shut swing doors with excessive force. Install door stop to prevent door from opening too far.

**Subject to change without notice.**

**For practical planning, please use our drawings DORMA-Glas DETAIL.**

### Mounting

1. Only properly qualified and specially trained staff is authorised to mount DORMA glass fittings.
2. Never use glass with conchoidal fractures and/or damaged edges.
3. Due to crushing hazards – among others in the area of the secondary closing edge – and possible injury caused by breakage of glass during mounting, corresponding protective clothing (especially gloves and protective goggles) is required.
4. Clean clamping area with fat solvent (standard commercial cleaning agent) before mounting the glass fitting.
5. Never use clamping shoes on structured glass surfaces (except on satined glass) or glass of heavily varying thickness unless with a corresponding levelling layer.
6. Never use clamping shoes on self-cleaning coatings.
7. When adjusting glass elements, always stick to the required clearance for the respective fitting. Adjust clearance so that the glass does not touch hard components such as glass, metal or concrete.
8. Make sure not to use excessive force when installing the glass (avoid local stress resulting from very tight screws).

### Maintenance

Check fittings at regular intervals for proper positioning and smooth running and door for correct adjustment. Especially highly-frequented door systems require inspection by properly qualified staff (specialised companies or installation firms). Immediately replace damaged glass elements (no glass flaking and/or conchoidal fractures)!











DORMA India Private Limited  
14 Pattullous Road  
CHENNAI - 600 002  
INDIA  
Phone +91 44 2855 9192  
Fax +91 44 2858 5096  
[www.dorma.com/in](http://www.dorma.com/in)